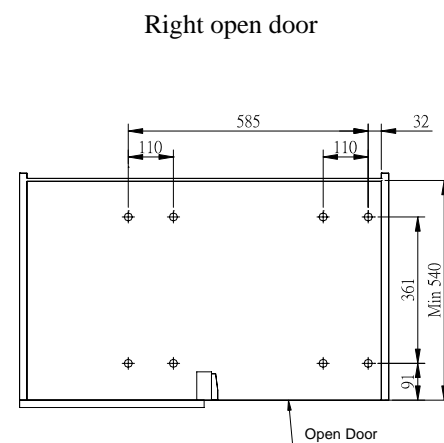


# INSTALLATION INSTRUCTION

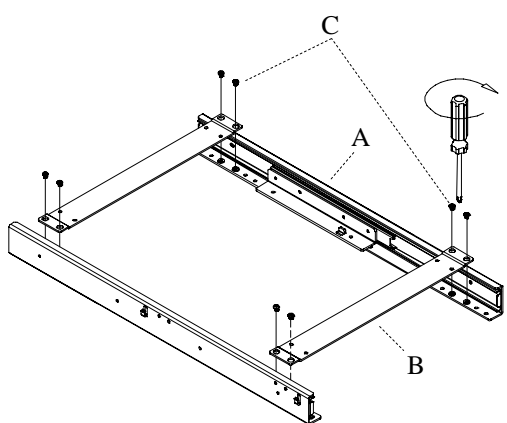
For B04640SC ( Right open door )

Bottom slide	Q'ty	Slide connector	Q'ty	Screw	Q'ty	L frame	Q'ty	Soft-close kit	Q'ty
A	1pair	B	2pcs	C	10pcs	D	1pc	E	1pc
Screw for soft-close kit	Q'ty	Big pull-out frame	Q'ty	Small pull out frame	Q'ty	Screw	Q'ty	Handle	Q'ty
F	2pcs	G	1pc	H	1pc	I	16pcs	J	2set
Screw for L frame	Q'ty	Pull-out guarder	Q'ty	Door bracket	Q'ty	Big basket	Q'ty	Small basket	Q'ty
K	4pcs	L	1pc	M	2pcs	N	2pcs	O	2pcs

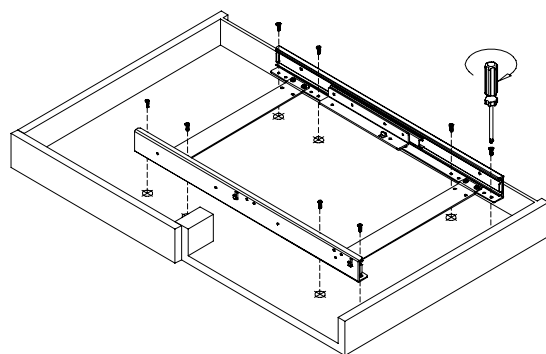
Step 1: Mark screw holes position bottom board of cabinet.



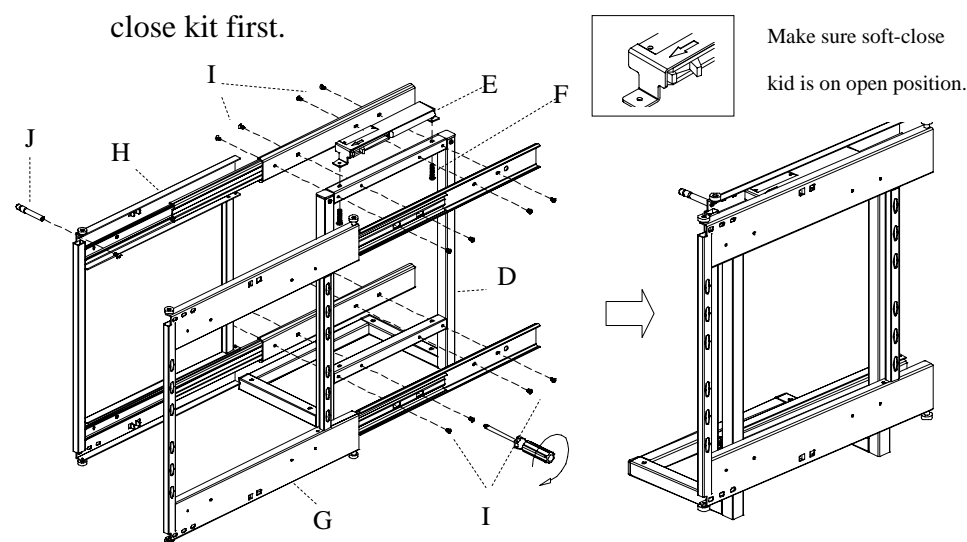
Step 2: Connet two bottom slides by bracket "B" to become bottom slide set.



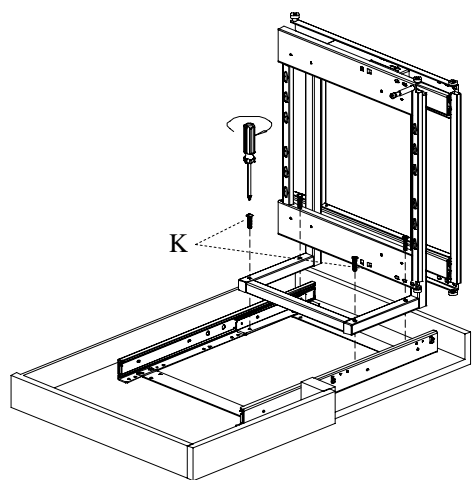
Step 3: Screw bottom slide set on bottom board of cabinet.



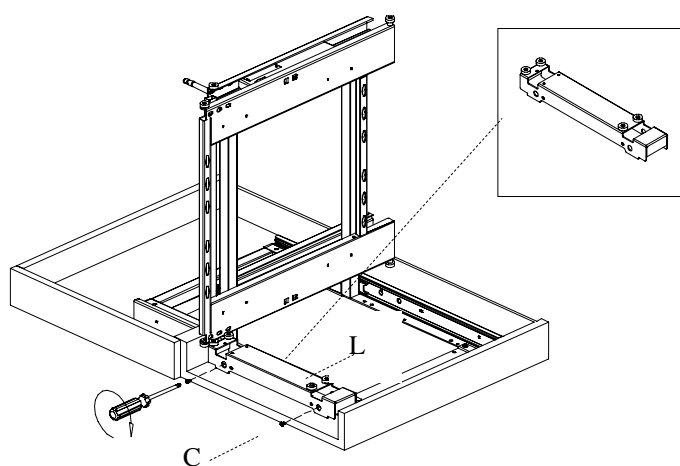
Step 4: Assembling the pull-out frame with L frame. Starting from soft-close kit first.



Step 5: Screw main frame together with bottom slide set by 4 screws "K".

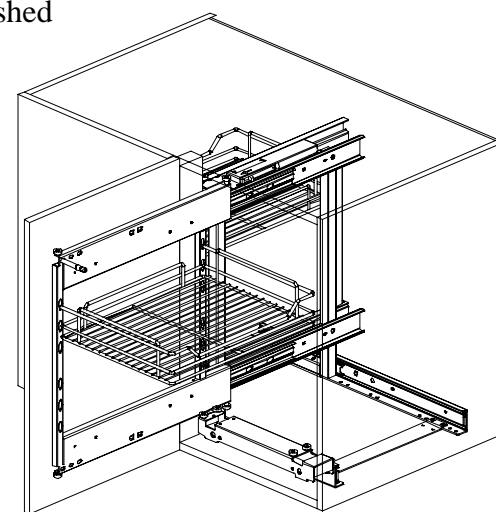


Step 6: Move main frame to left and screw pull-out guarder on bottom slide set.



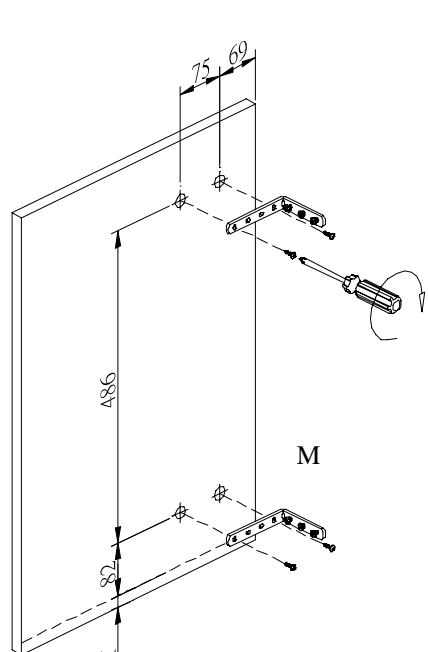
Step 7A : Apply to hinge door.

Finished

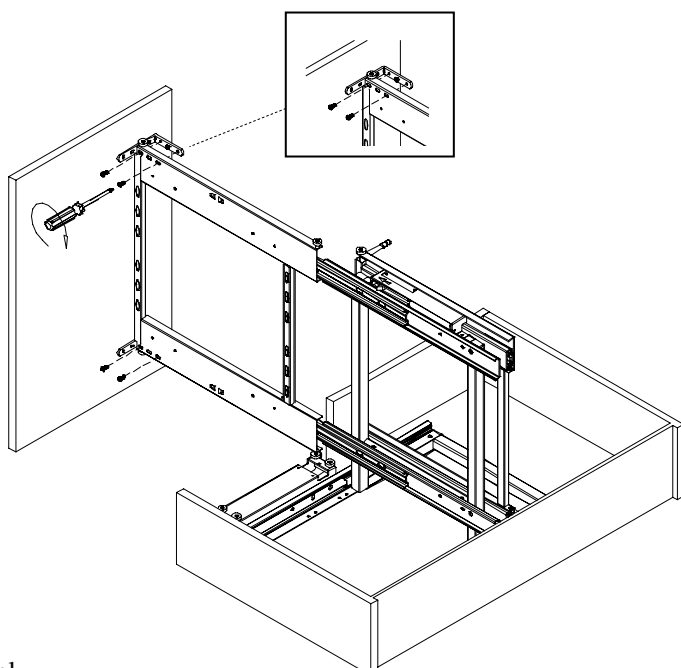


Finished main frame for right open door

Step 7B: Apply to panel door



Y=The thickness of cabinet panel.



Finished

