

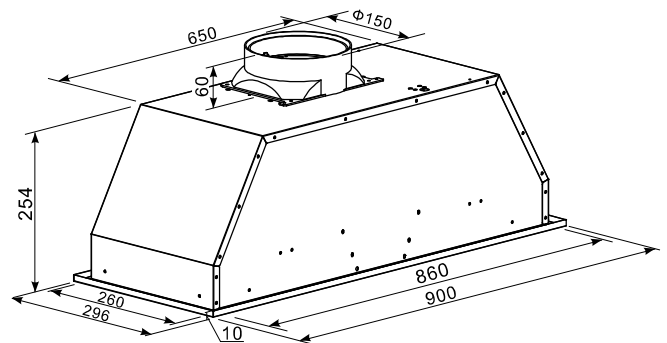
90CM STAINLESS STEEL UNDERCUPBOARD RANGEHOOD

FCUH90XSAU



PRODUCT INFORMATION

Overall Dimensions (mm)	900(W) x 254(H) x 296(D)
Cut-Out Dimensions (mm)	865(W) x 265(D)
Power	220-240V 50Hz, 384W max
Number of Fan Speeds	3
Control Interface	Slide Control
Noise Level	73dB
Lighting	Twin LED
Air Outlet	ø150mm
Filter	3 x 5 Layer Aluminum Mesh Filters (Dishwasher Safe)
Air Flow	980m ³ /h
Finish	Stainless Steel Trim
Warranty	2 Years



PLEASE NOTE: Technical and product specifications may change; therefore, cut-outs for appliances should only be by physical product measurements. The above information is indicative only.

LAST UPDATED: 09 JUNE 2022