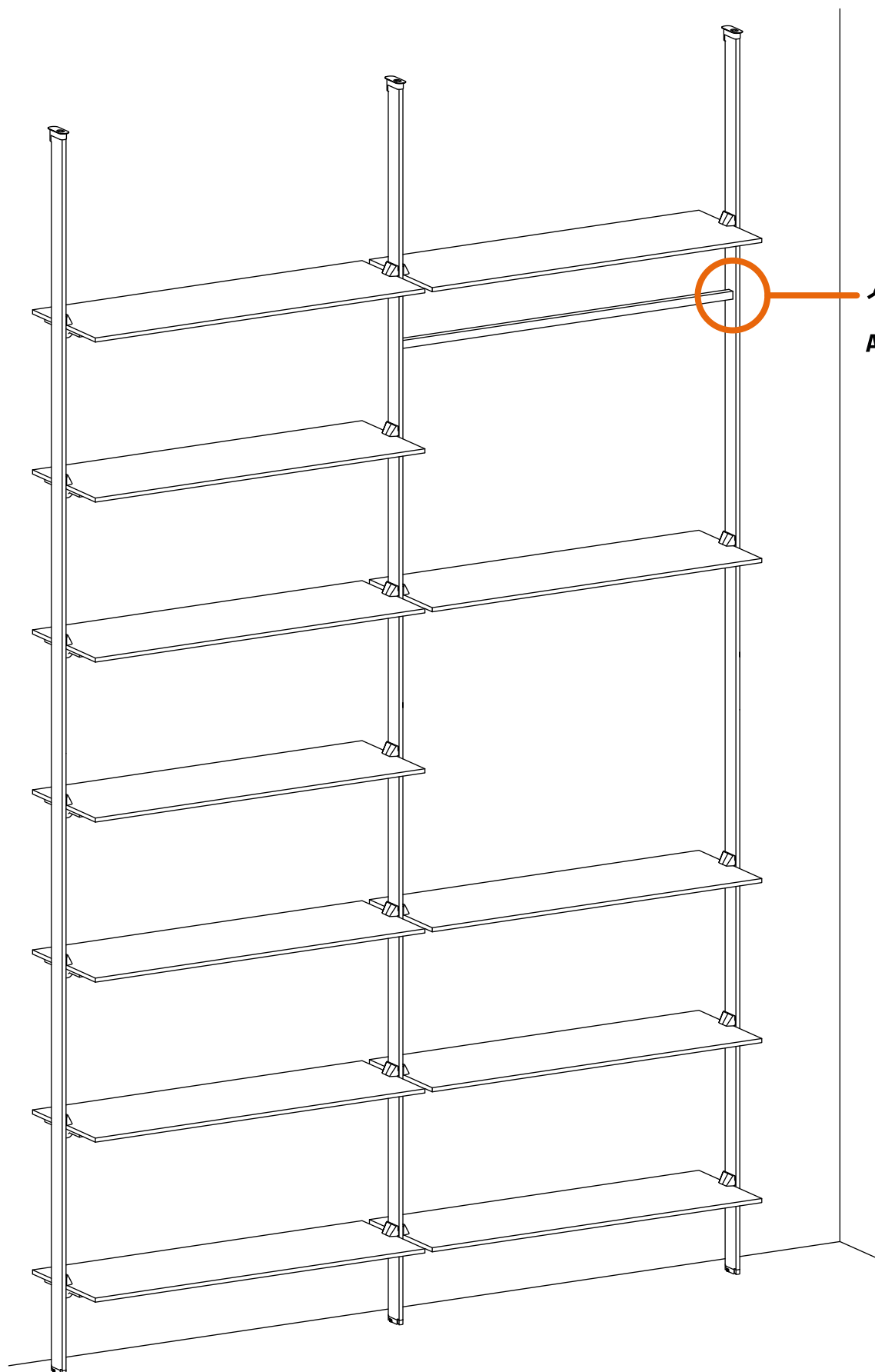


**SLIM**

*FLOOR TO CEILING - FLAT CEILING*

**EUREKA**

www.eurekaitalia.it



**ART. 3529**

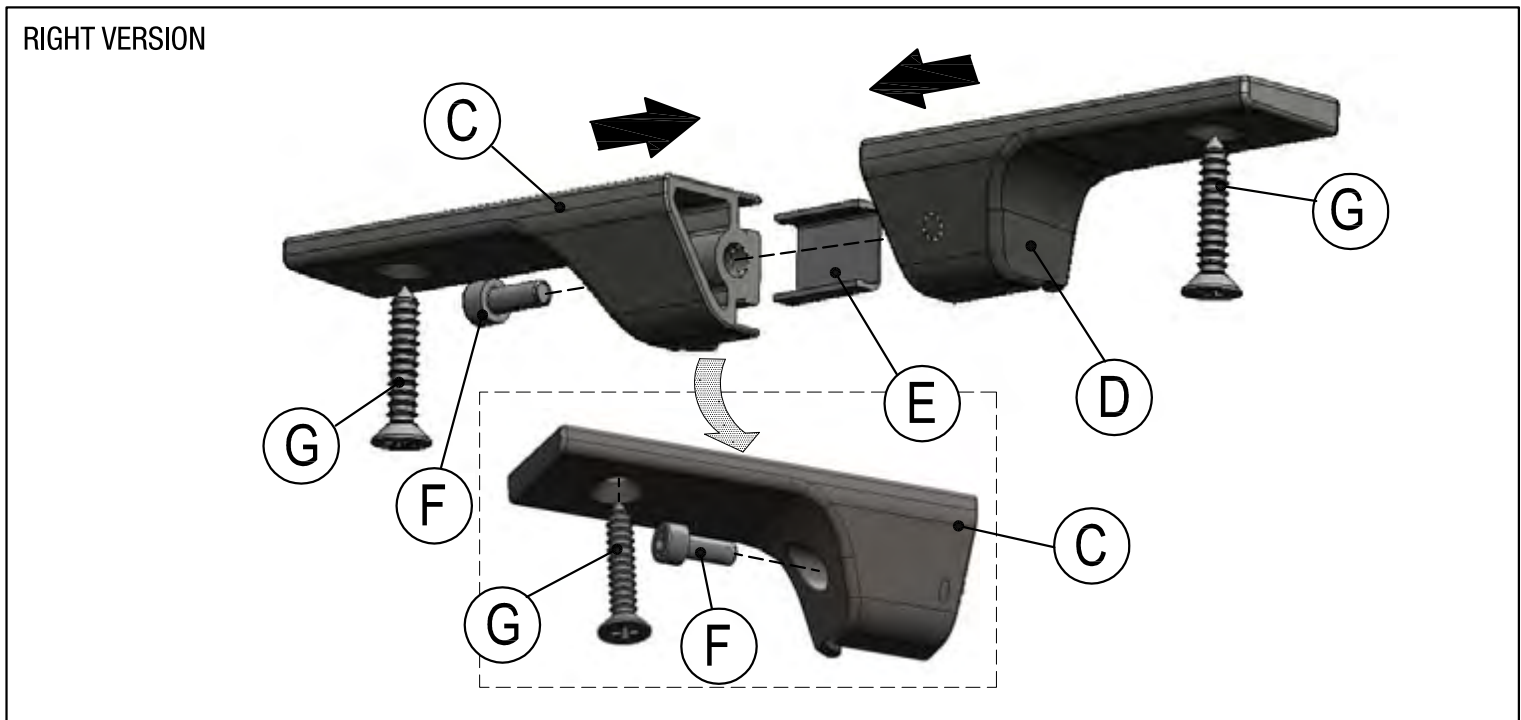
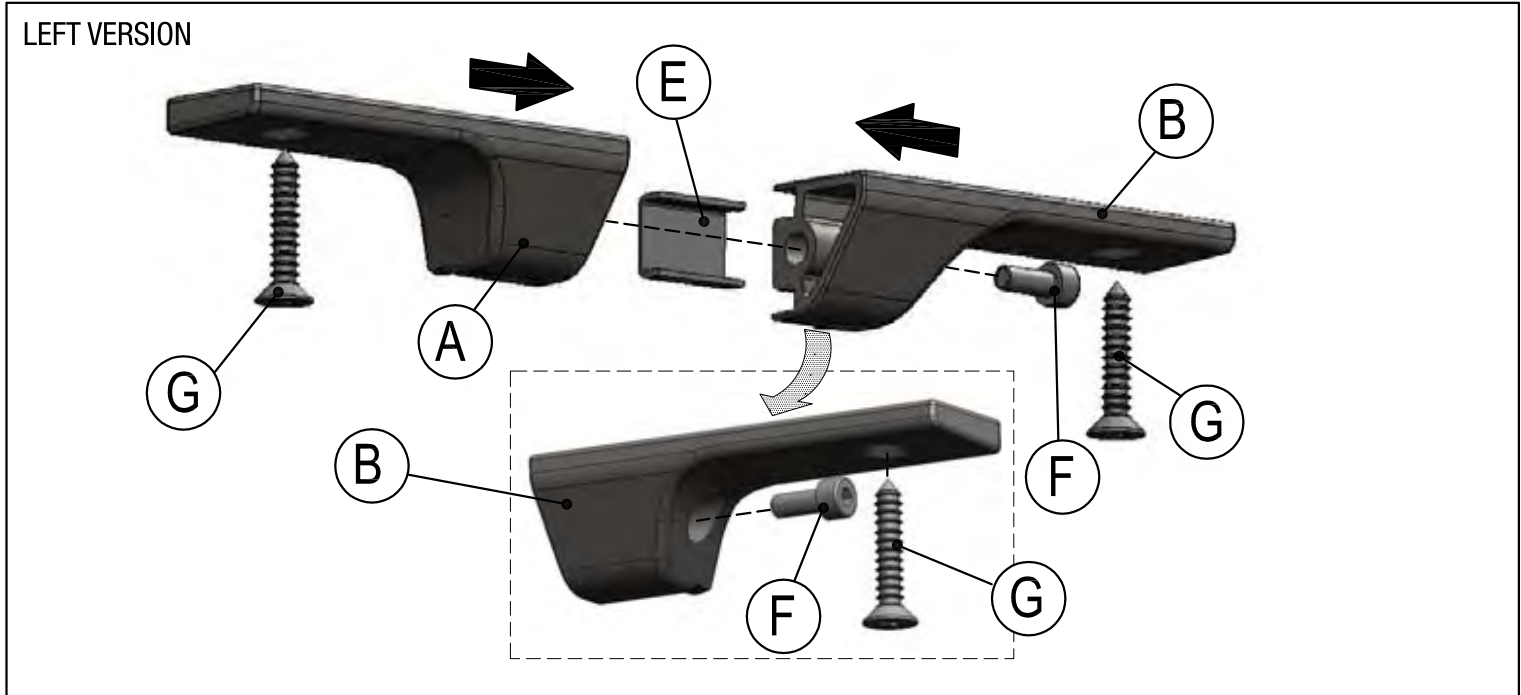
**SLIM**

*FLOOR TO CEILING - SLOPING CEILING*

**EUREKA**

www.eurekaitalia.it

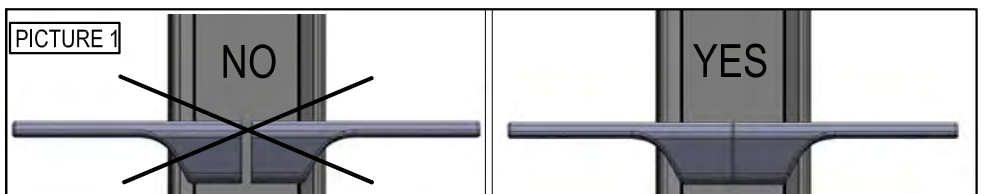




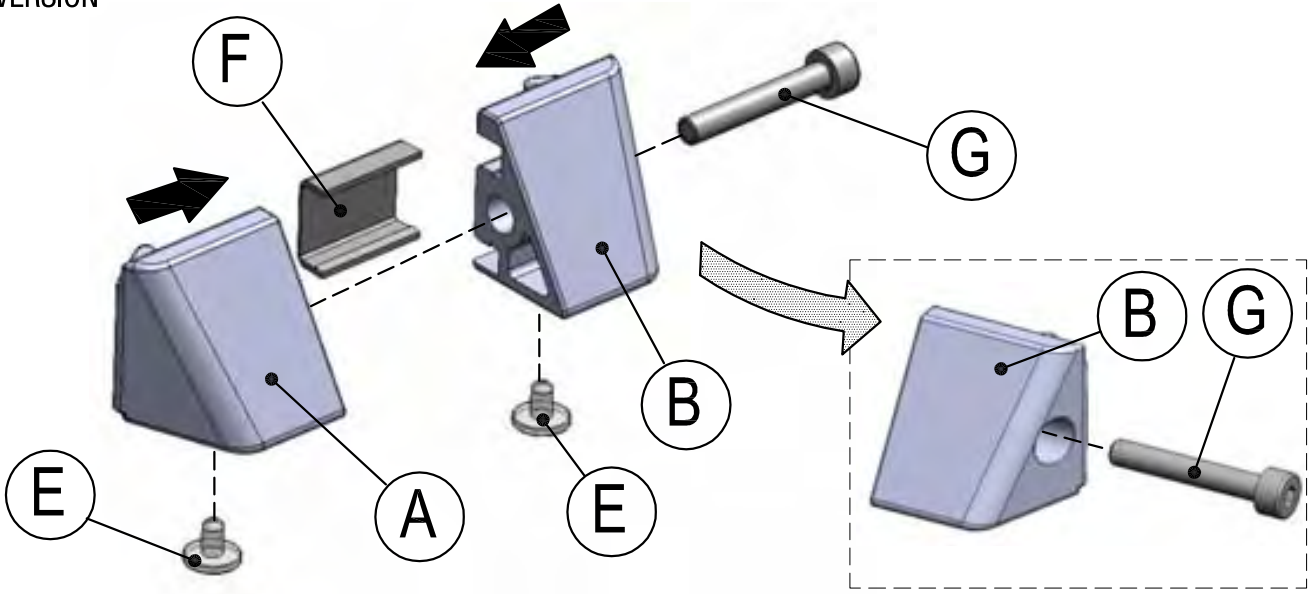
1. Insert anti-scratch **E** on its seat.
2. Fasten the shelfholder **A** with **B** (and **C** with **D**) with the screws **F** on the vertical style after setting them just over the shelf (or module etc).
3. Make sure the two shelfholder **A** and **B** (**C** and **D**) are completely closed against each other without opening (see picture 1).
4. Finally mount the shelf (or module etc) on the shelfholder **A** and **B** (**C** and **D**) and fix it with screws **G**.

- (A) Nr. 1 metal shelfholder, left front version
- (B) Nr. 1 metal shelfholder, left back version
- (C) Nr. 1 metal shelfholder, right back version
- (D) Nr. 1 metal shelfholder, right front version

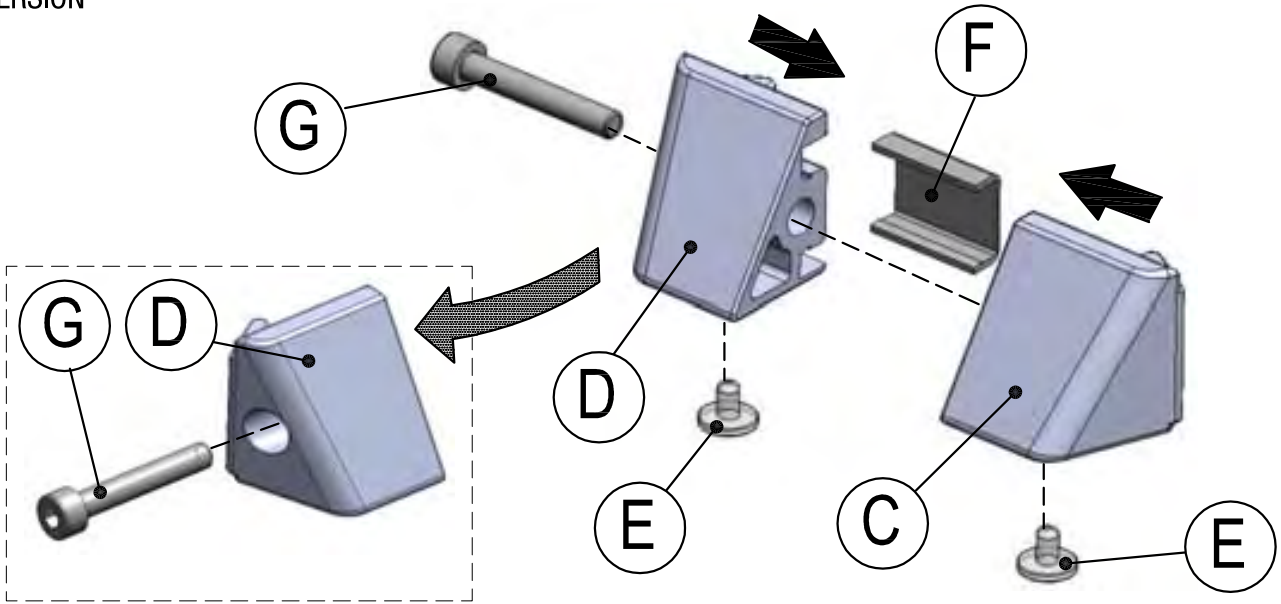
- (E) Nr. 2 anti-scratch plastic plates
- (F) Nr. 2 hexagon socket head cap screws M4x25
- (G) Nr. 4 chiboard screws Ø3.5



LEFT VERSION

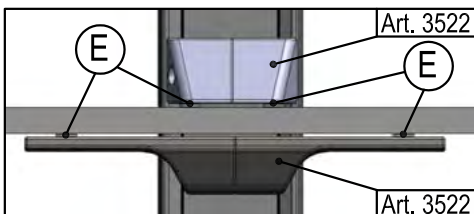


RIGHT VERSION

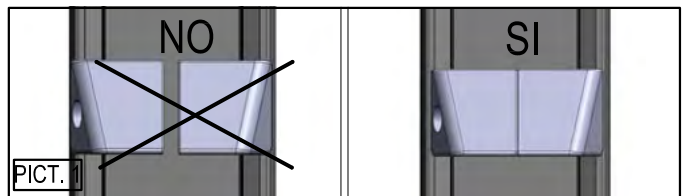


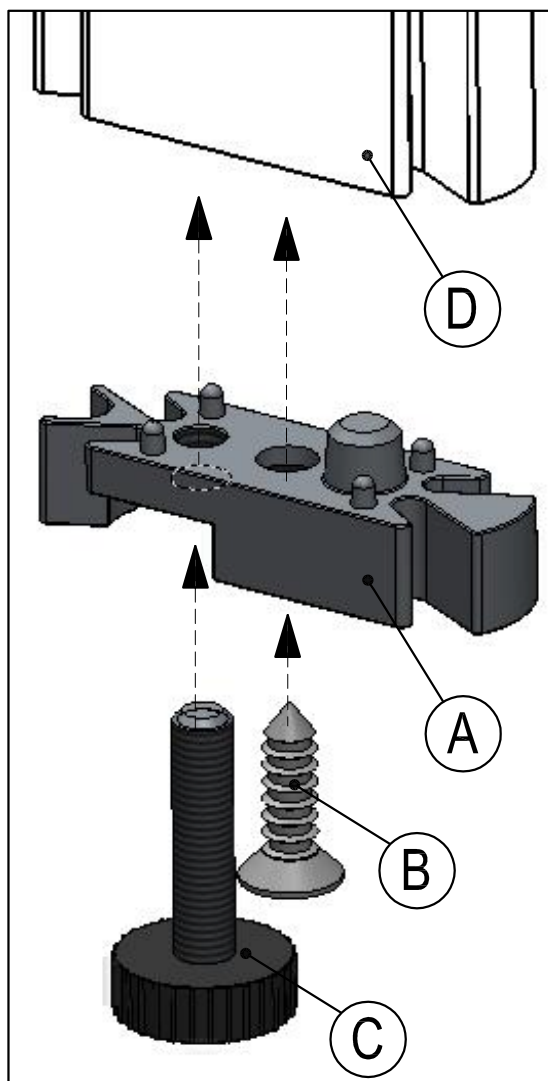
1. Insert anti-scratch plate **F** on its seat;
2. Fasten the clamps **A** with **B** (and **C** with **B**) with the screws **G** on the vertical style after setting them just over the shelf (or module etc.);
3. Make sure the two clamps **A** and **B** (**C** and **D**) are completely closed against each other without opening (see picture 1);
4. Insert the transparent plastic gasket **E** into the proper holes of clamps **A** and **B**;

- (A) Nr. 1 front left clamp for glass
- (B) Nr. 1 back left clamp for glass
- (C) Nr. 1 front right clamp for glass
- (D) Nr. 1 back left clamp for glass
- (E) Nr. 8 plastic transparent gasket
- (F) Nr. 2 anti-scratch plastic plates
- (G) Nr. 2 hexagon socket head cap screw M4x25



IN CASE YOU NEED TO FIX A GLASS SHELF, USE THE TRANSPARENT PLASTIC GASKET **E** (instead of chipboard screws to be used with art. 3521)

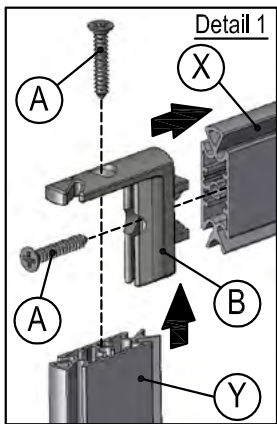
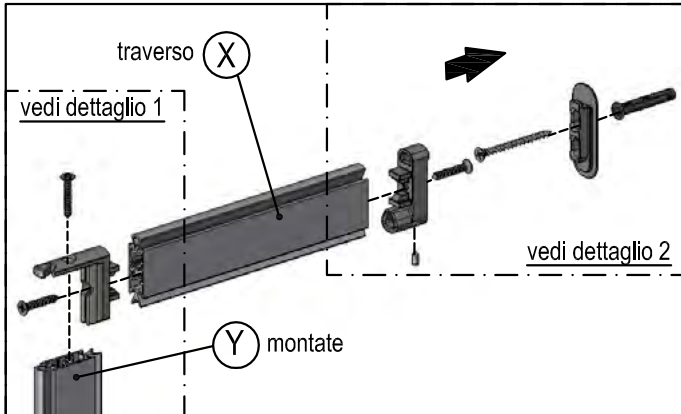




- Ⓐ Nr. 1 metal intermediate foot
- Ⓑ Nr. 1 self-tapping screw Ø5.5
- Ⓒ Nr. 1 adjustable round foot

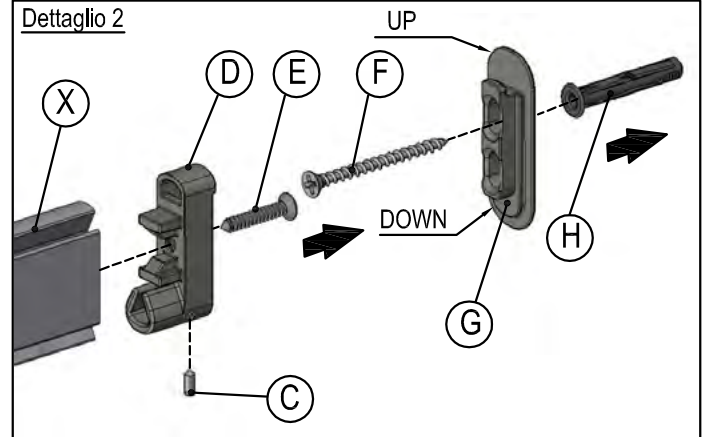
1. Insert foot **A** on the vertical style **D** using self-tapping screw **B**.
2. Screw adjustable foot **C** under intermediate foot **A**.

**WALL STRUCTURE**



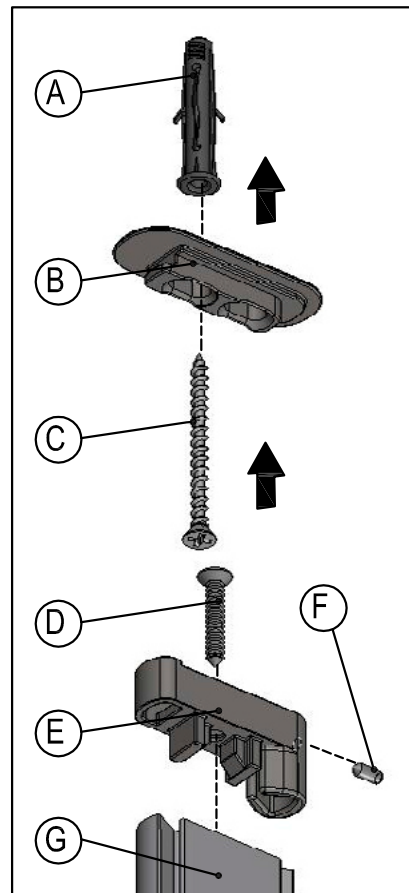
- (A) Nr. 2 self-tapping screws Ø5.5x50
  - (B) Nr. 1 metal joint
- ON PERFORATED BRICK USE ONLY A DRILLING MACHINE (WITH SPIN MOVEMENT) NOT A PNEUMATIC DRILL.**
1. Slide the metal joint **B** into the horizontal style **X** and screw the self-tapping screw **A**.
  2. Set the vertical style **Y** on the metal joint **B** and fix with screw **A**.

About the overhung version, the maximum weight suggest is 40 Kg.



- (C) Nr. 1 Hexagon socket set screw chamfered M4
  - (D) Nr. 1 metal intermediate piece
  - (E) Nr. 1 self-tapping screws Ø5.5x50
  - (F) Nr. 1 chipboard screw Ø5
  - (G) Nr. 1 zamak wall foot
  - (H) Nr. 1 wall plug Ø8
- FIX THE SYSTEM TO THE WALL ONLY AFTER MOUNTING THE FOOT ART. 3523.**
3. Fix the metal intermediate piece **D** to the horizontal style **X** with screws **E**.
  4. Drill the wall with a Ø8 bit and insert the wall plug **H**.
  5. Fix the wall foot **G** to the wall with screw **F**.
  6. Connect the metal intermediate piece **D** with the wall foot **G** and fix them together with screw **C**.

**CEILING STRUCTURE**



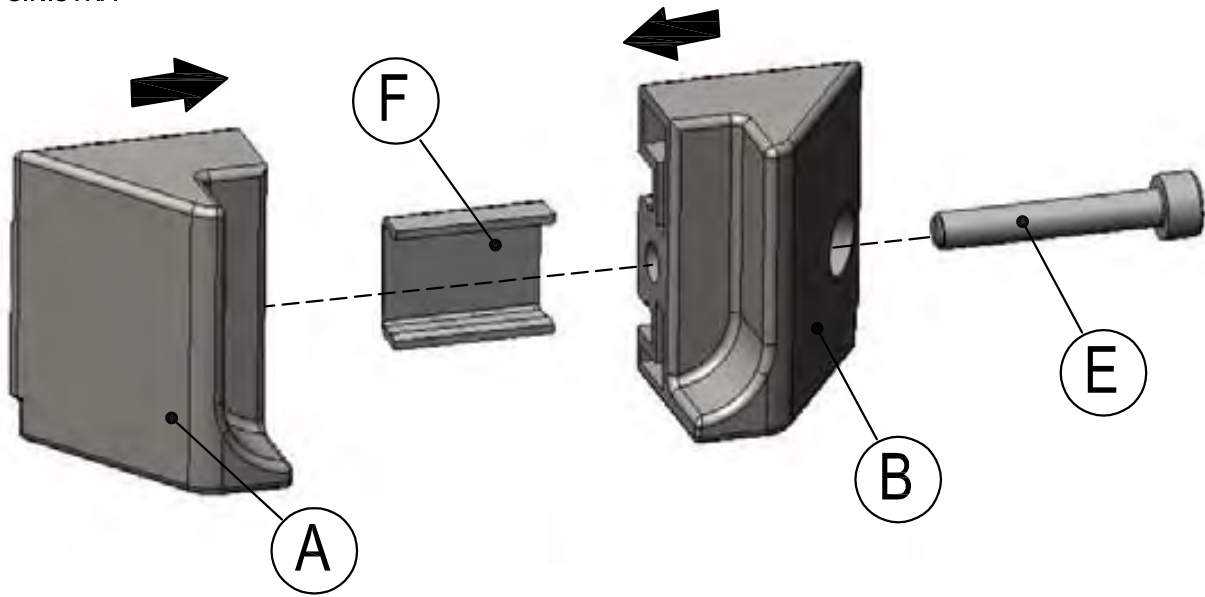
- (A) Nr. 1 wall plugs Ø8
- (B) Nr. 1 zamak wall foot
- (C) Nr. 1 chipboard screw Ø5
- (D) Nr. 1 self-tapping screw Ø5.5x50
- (E) Nr. 1 metal intermediate piece
- (F) Nr. 1 Hexagon socket set screw chamfered M4

1. Fix the metal intermediate piece **E** to the horizontal style **G** with screw **D**.
2. Drill the wall with a Ø8 bit and insert the wall plug **A**.
3. Fix the wall foot **B** to the ceiling with screw **C**.
4. Connect the metal intermediate piece **E** with the wall foot **B** and fix them together with screw **F**.

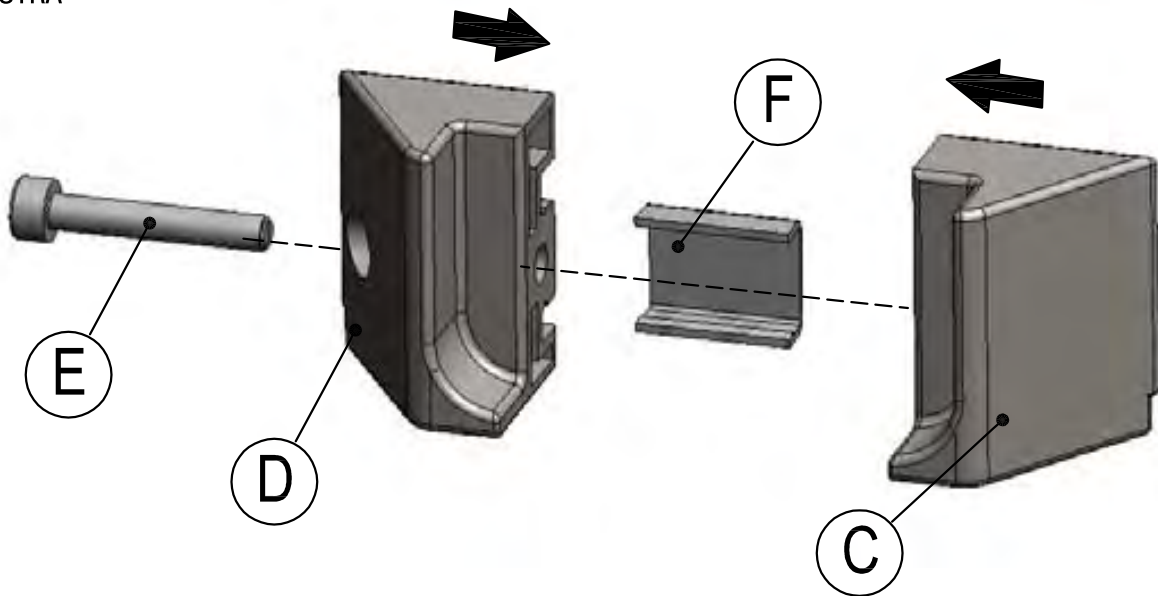
**On perfored brick, use only a drilling machine (with spin movement).**



## VERSIONE SINISTRA



## VERSIONE DESTRA



1. Insert anti-scratch **E** on its seat.
2. Fasten the supports **A** with **B** (and **C** with **D**) with the screws **F** on the vertical style after setting them just over the pipe hangers.
3. Make sure the two supports **A** and **B** (**C** and **D**) are completely closed against each other without opening (see picture 1).
4. Finally mount the pipe hangers on the supports **A** and **B** (**C** and **D**) and fix them with screws **E** (see picture 2).

(A) Nr. 1 front left clamp support

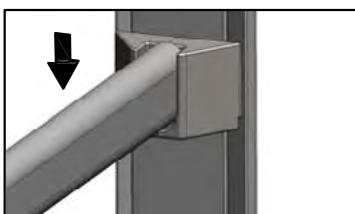
(B) Nr. 1 back left clamp support

(C) Nr. 1 front right clamp support

(D) Nr. 1 back right clamp support

(E) Nr. 2 hexagon socket head cap screw M4x25

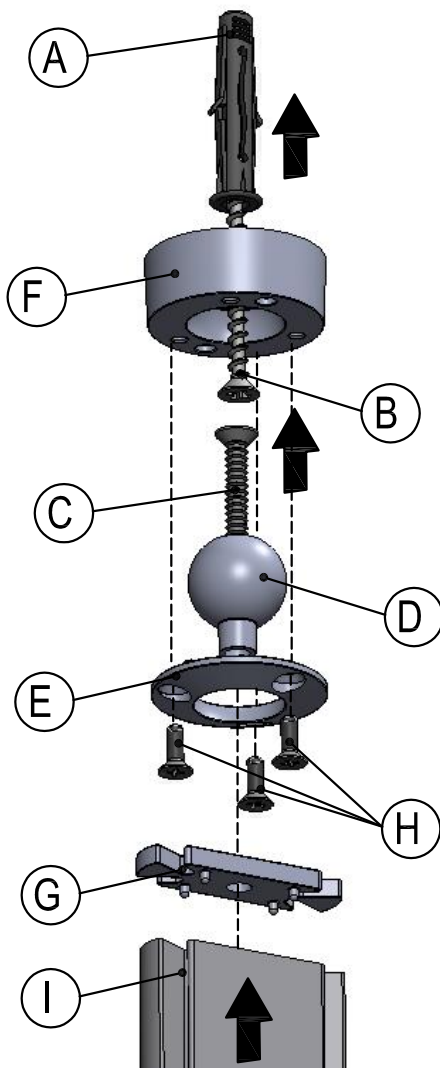
(F) Nr. 2 anti-scratch plastic plates



PICT. 2



PICT. 1



(A) Nr. 1 wall plug Ø8

(B) Nr. 1 chipboard screw Ø5x60

(C) Nr. 1 threading screw Ø5.5x50

(D) Nr. 1 sphere

(E) Nr. 1 ferrule

(F) Nr. 1 wall plate

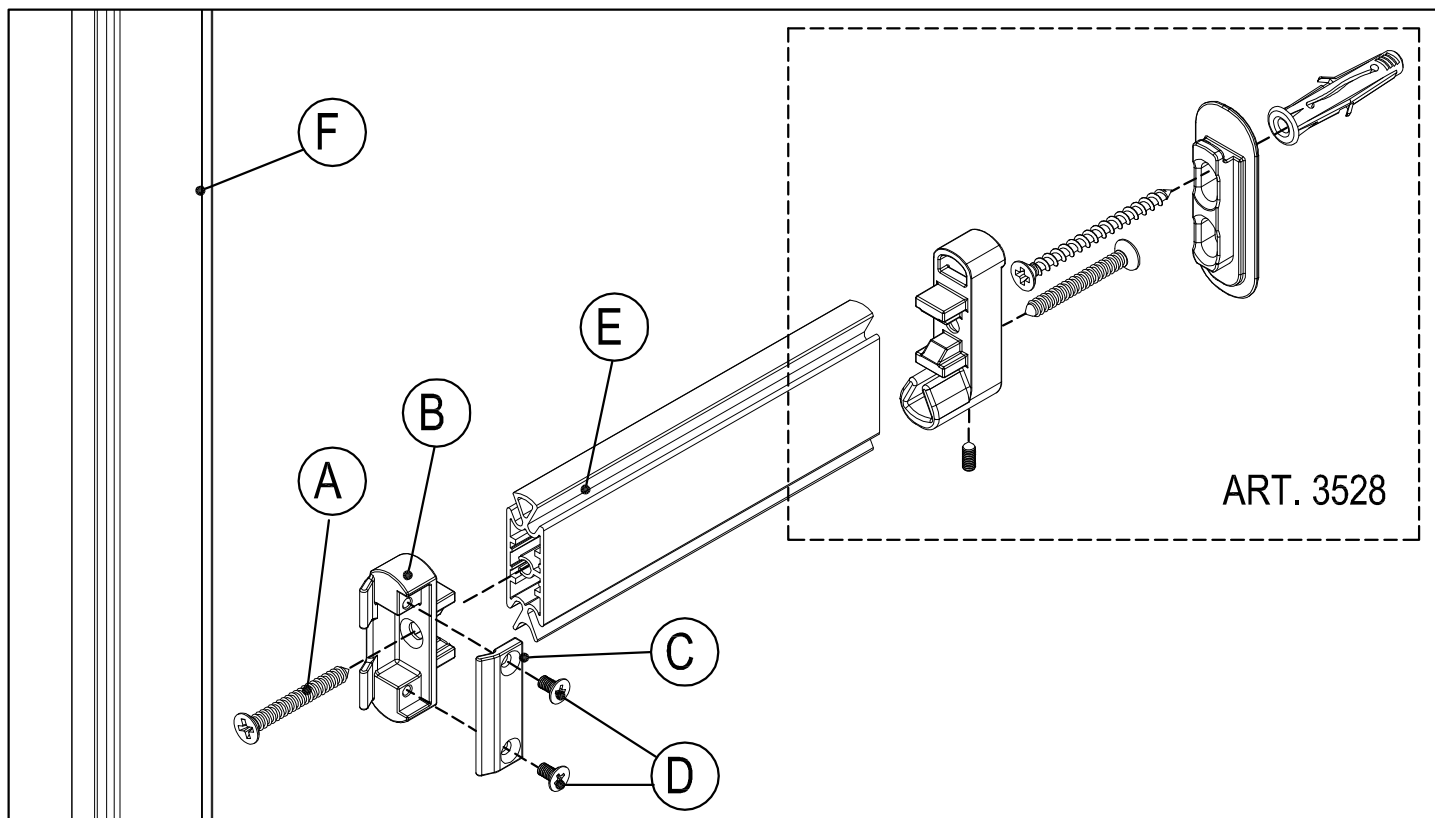
(G) Nr. 1 zamak cap

(H) Nr. 3 screws M4x12

1. Fix the zamak cap **G** to the vertical style **I** with the screw **C** interposing between the two components the ferrule **E** and the sphere **D**.
2. Drill the wall with a Ø8 bit and insert the wall plug **A**.
3. Fix the wall plate **F** to the ceiling with the screw **B**.
4. Fix the components **I-G-E-D** coupling the ferrule **E** with the wall support **F** and fix them together with three screws **H**.

**On air-brick**, use only a drilling machine (with spin movement).





(A) Nr. 1 self tapping screw  $\varnothing 5.5 \times 50$

(B) Nr. 1 support

(C) Nr. 1 metal clamp

(D) Nr. 2 screws M4x8

1. Fix the support B to the intermediate profile E with the screw A.
2. Put the vertical profile F between the support B and the clamp C.
3. Close the vertical profile F with the screws D.