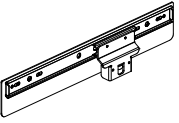
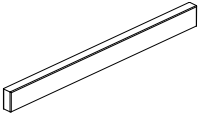
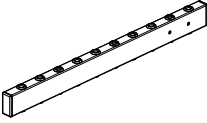

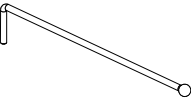
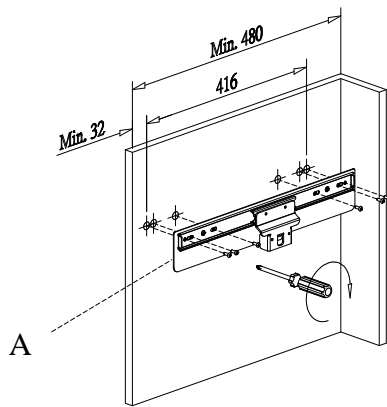


# INSTALLATION INSTRUCTIONS

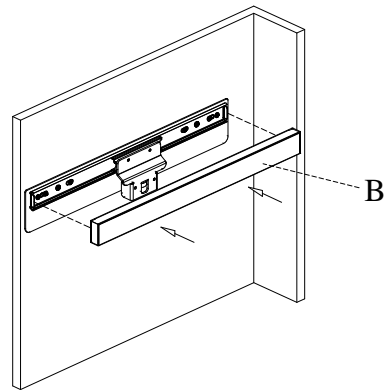
For S08170C / BN / SN / SC

| A*1pc   | B*1pc   | C*1pc   | D*2pcs   | E*10pcs   |
|---|---|---|--|---|
|  |  |  |  |  |

Step 1:

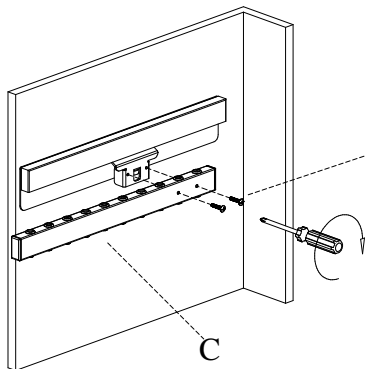


Step 2:

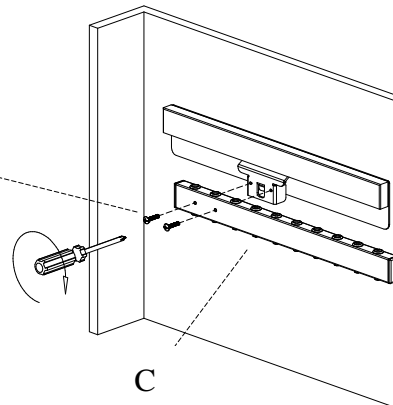


Step 3:

**Left**



**Right**



Finished

