

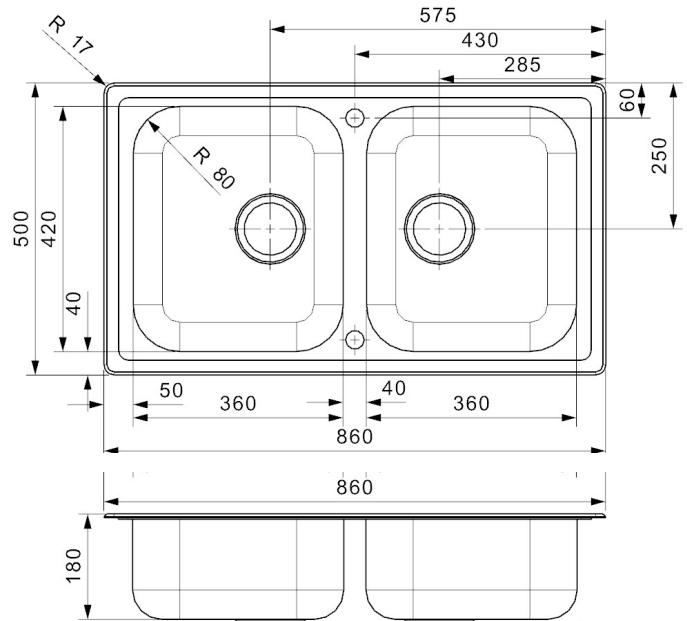


MONARCH DOUBLE BOWLS

Product Image



Line Drawing



INSTALLATION DISCLAIMER

ALL TEMPLATES, LINE DRAWINGS & ELECTRONIC FILES ARE SUPPLIED AS A GUIDE ONLY. PLEASE CROSS CHECK WITH ACTUAL BOWL BEFORE COMMENCING ANY CUTOUT AND ENSURE RADII ARE SUITABLE TO BENCHTOP MATERIAL TOLERANCES. ARGENT ACCEPTS NO RESPONSIBILITY FOR CUTOUT ERRORS.

www.argentaust.com.au

Code/Description

MONARCH DOUBLE BOWLS

R27219 No Tap Hole
R27318 1 Tap Hole

ACCESSORIES TO SUIT:

R1045 Colander (must purchase with foodboard)
S1145 Wooden Food Board
R1190 Stainless Steel Dishrack

Additional Information

- Design Overflow
- Round basket waste
- 304 Stainless Steel Polished Inox Finish
- Top Mount, Under Mount Installation
- 27/27 Litre Capacity
- Suit 900 Carcass or Larger

National Customer Service:
Ph: 1300 551 919
Fax: 1300 739 656

www.lincolnsentry.com.au

Scan QR code to find
your nearest branch



For locations please visit
<http://www.lincolnsentry.com.au/contact-us/locations>

