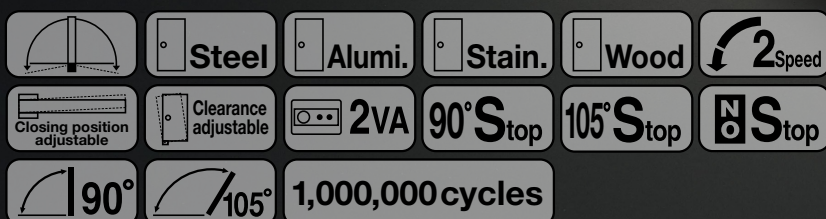


# RYOBI®



- Overhead Concealed Door Closers
- ◆ Cerradores ocultos arriba
- Ferme-porte superieur dissimule

# RYOBI

# 30 SERIES

# Overhead concealed door closer

# 30 SERIES

## The best performance and quality

Whenever you look for true assurance and value, why not choosing Ryobi. Ryobi is proud of its frontier cast iron production technology and assures higher performance and quality than what you can expect.

Cast iron housing, high tensile camshaft, and ball bearing bottom pivot are all engineered to ensure the highest durability and smoother opening and closing operation.

## Model chart

Maximun opening angle	Hold-open angle	Installation		Spring tension	Maximun door weight	Maximun door width	
		Side load	End load			Internal	External
105°	105°	<b>30-20S</b>	<b>30-20K</b>	Light	70kg	950mm	750mm
	-	<b>30-21S</b>	<b>30-21K</b>				
90°	90°	<b>30-22S</b>	<b>30-22K</b>				
	-	<b>30-23S</b>	<b>30-23K</b>				
105°	90°	<b>30-24S</b>	<b>30-24K</b>				
105°	105°	<b>30-30S</b>	<b>30-30K</b>				
	-	<b>30-31S</b>	<b>30-31K</b>				
90°	90°	<b>30-32S</b>	<b>30-32K</b>				
	-	<b>30-33S</b>	<b>30-33K</b>				
105°	90°	<b>30-34S</b>	<b>30-34K</b>				
105°	105°	<b>30-40S</b>	<b>30-40K</b>	Heavy	170kg	1250mm	1050mm
	-	<b>30-41S</b>	<b>30-41K</b>				
90°	90°	<b>30-42S</b>	<b>30-42K</b>				
	-	<b>30-43S</b>	<b>30-43K</b>				
105°	90°	<b>30-44S</b>	<b>30-44K</b>				

- Specify "S" (for side-loading installation) or "K" (for end-loading installation) after model number such as 30-20S or 30-33K when ordering.
- Each master carton consists of 6 units of complete door closer packed in individual carton.
- Opening the door wider than its 105°(90°) capacity will seriously damage the closer body. Installation of door stop is recommendable.

# Overhead concealed door closer 30 SERIES

Fully adjustable in door alignment, vertical positioning, heel to frame positioning via arm, arm channel and bottom pivot.

Compact body size fits in 102mm×45mm (4"×1 3/4") transom.

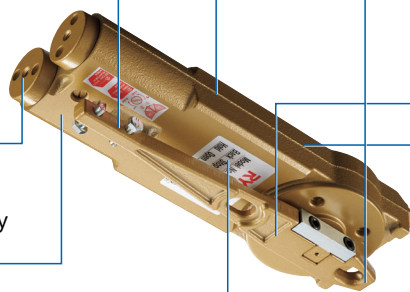
Three varying spring tensions of light, medium or heavy duty for the use with different door size and weight.

Each closer is supplied with either side or end loading arm and bottom pivot.

Easy and accurate speed adjustment by dual speed regulating valves.

Maximum door opening (back stop) angle at 90° or 105° in each direction.

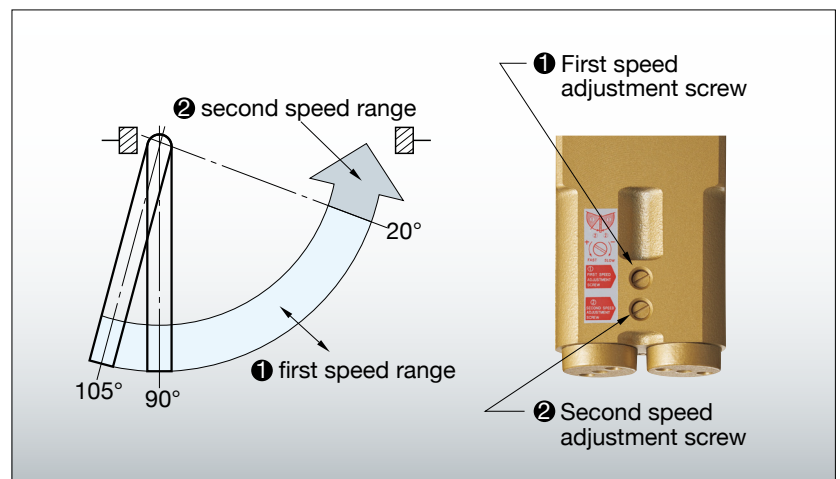
Center pivoted, applicable to single and double action.



## Speed adjustment

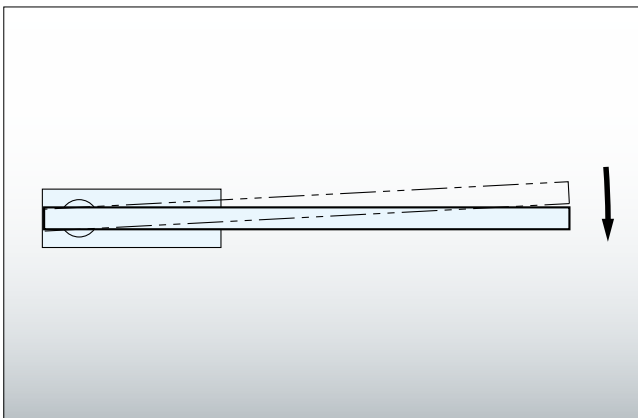
Turn adjustment screw

- ① for desired first speed
- ② then turn adjustment screw to produce a suitable second speed.



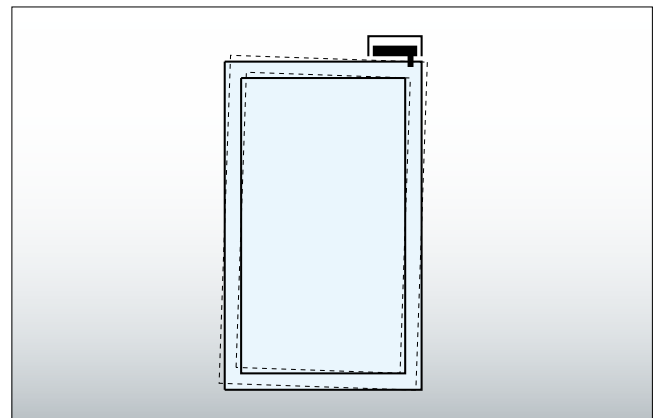
## Adjusting door closed position

Closed position adjustable by screw **A** after loosening screw **C**, to illustration on page 4 & 6 referring.

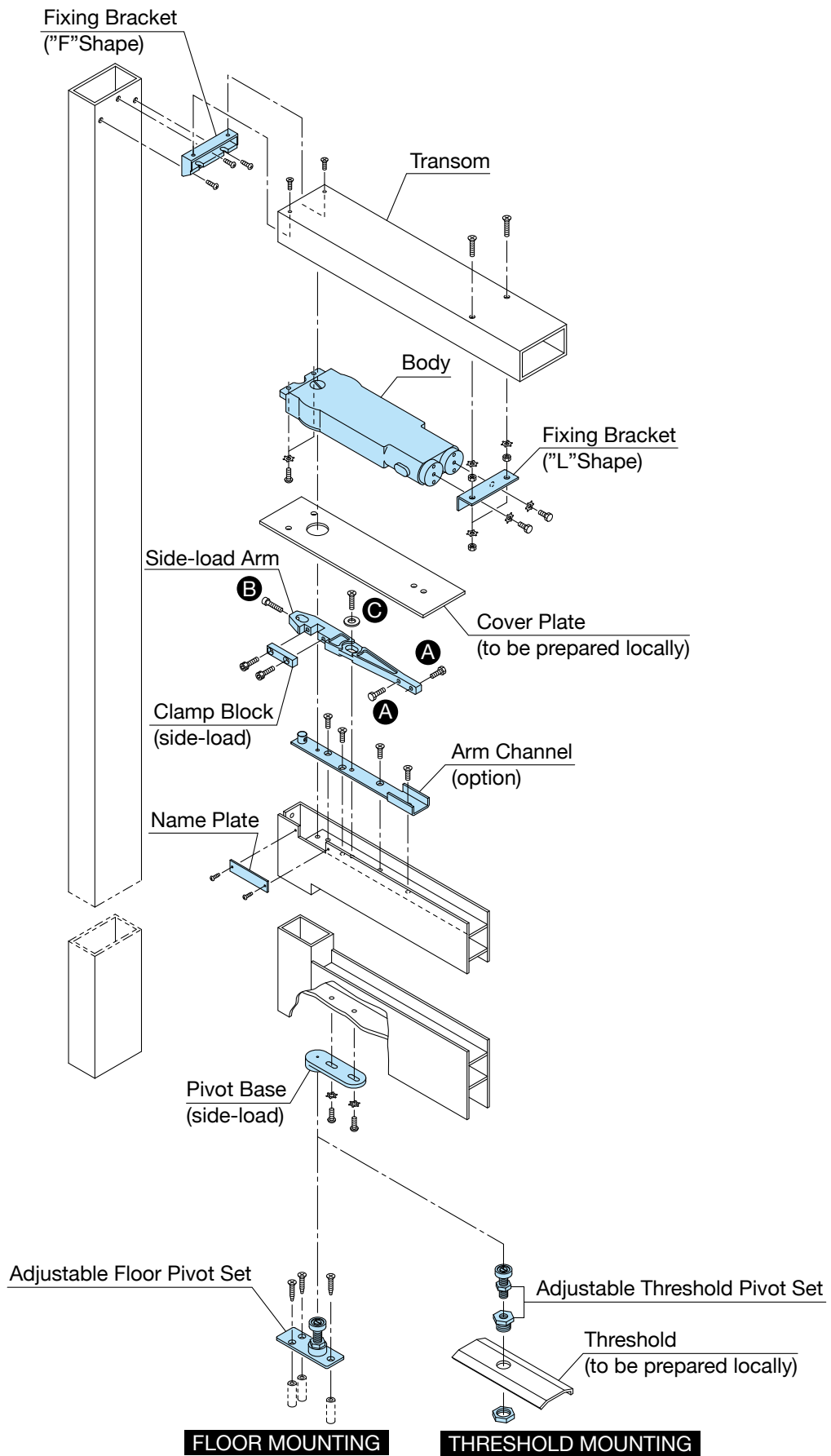


## Adjusting door parallel position

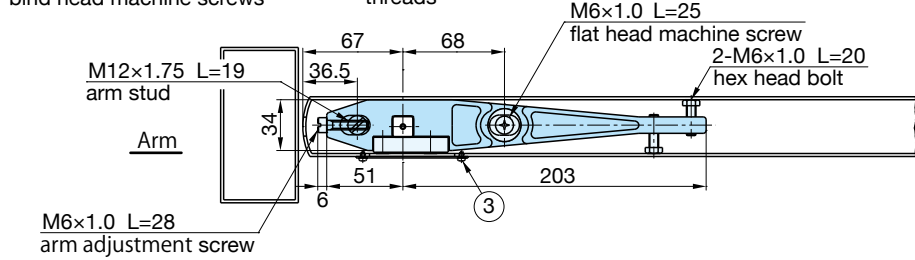
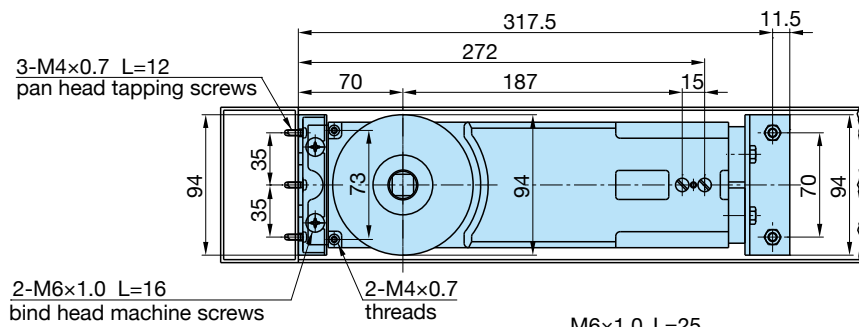
Clearance adjustable by screw **B** after loosening screw **C**, to illustration on page 4 & 6 referring.



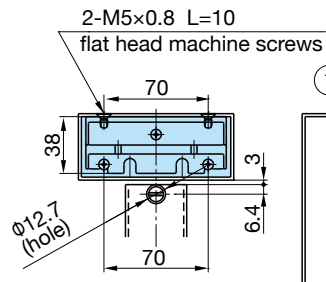
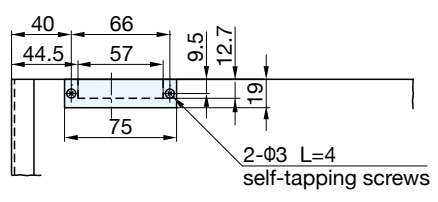
## Names of parts and accessories



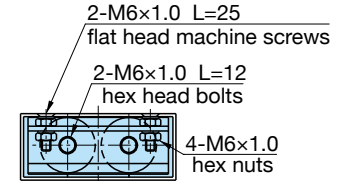
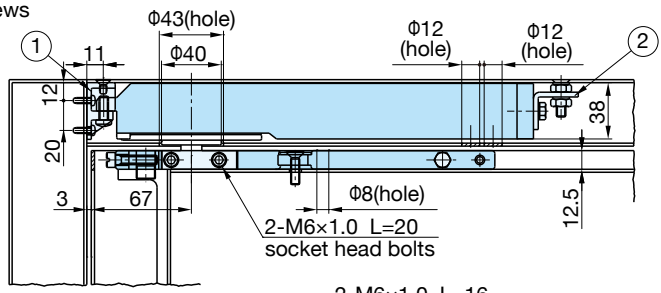
Side load application



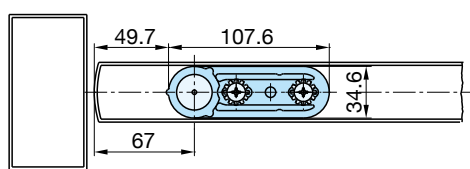
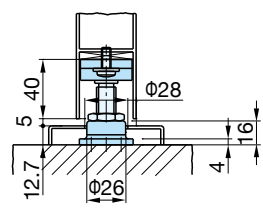
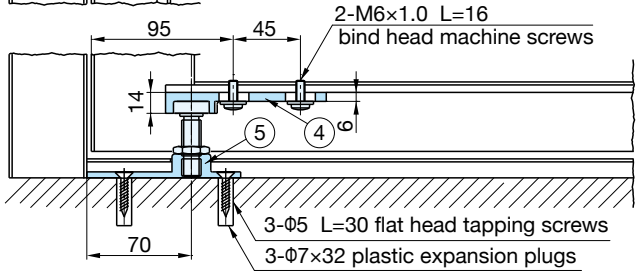
③ Top door rail



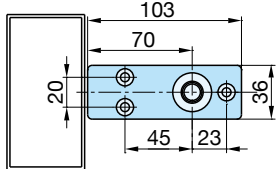
① Fixing bracket



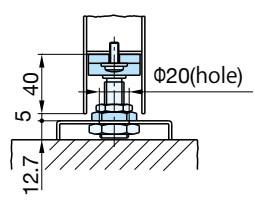
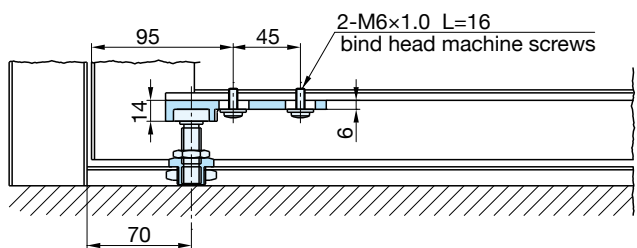
② Fixing bracket



④ Pivot bearing retainer



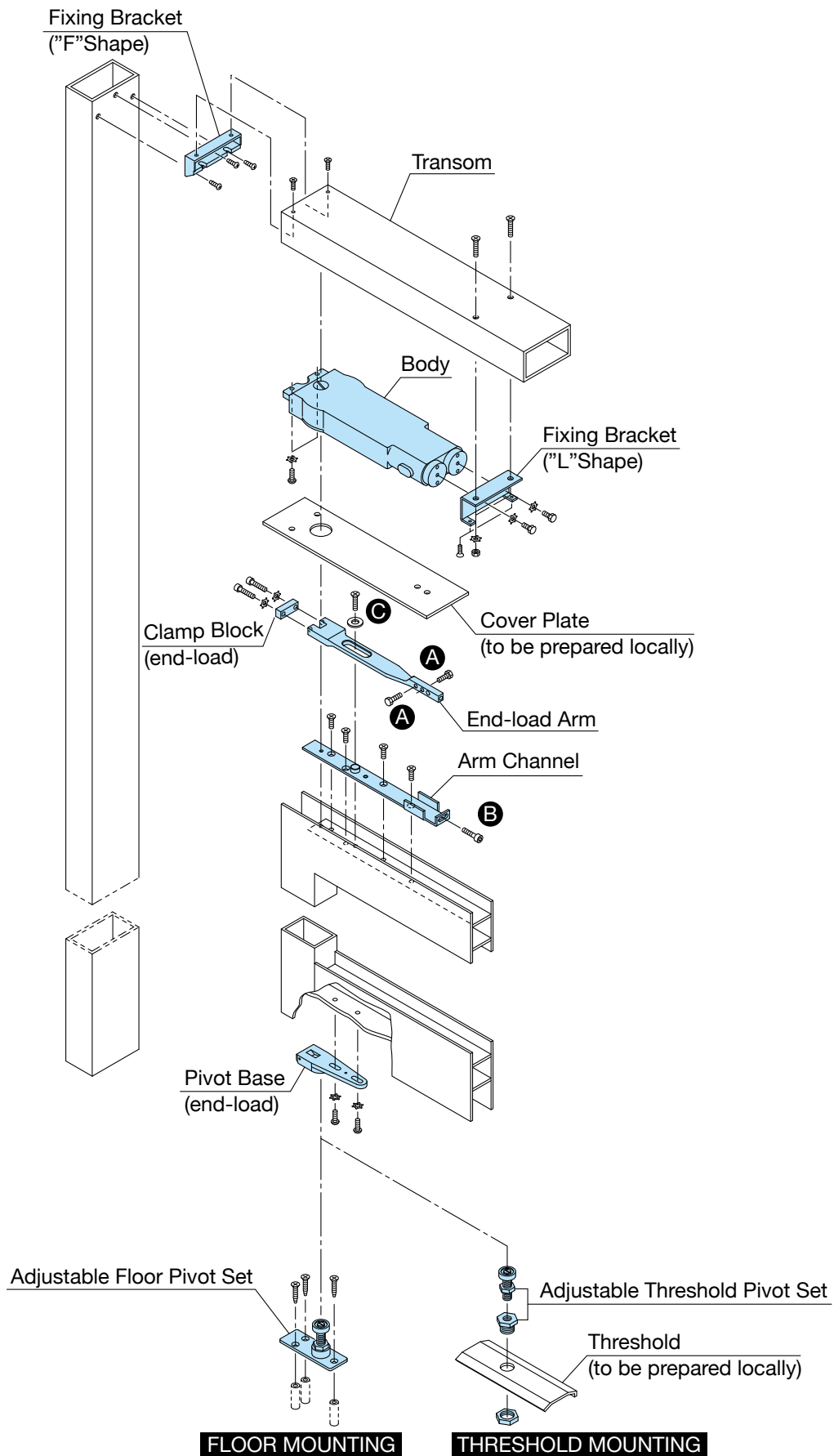
⑤ Floor mount pivot



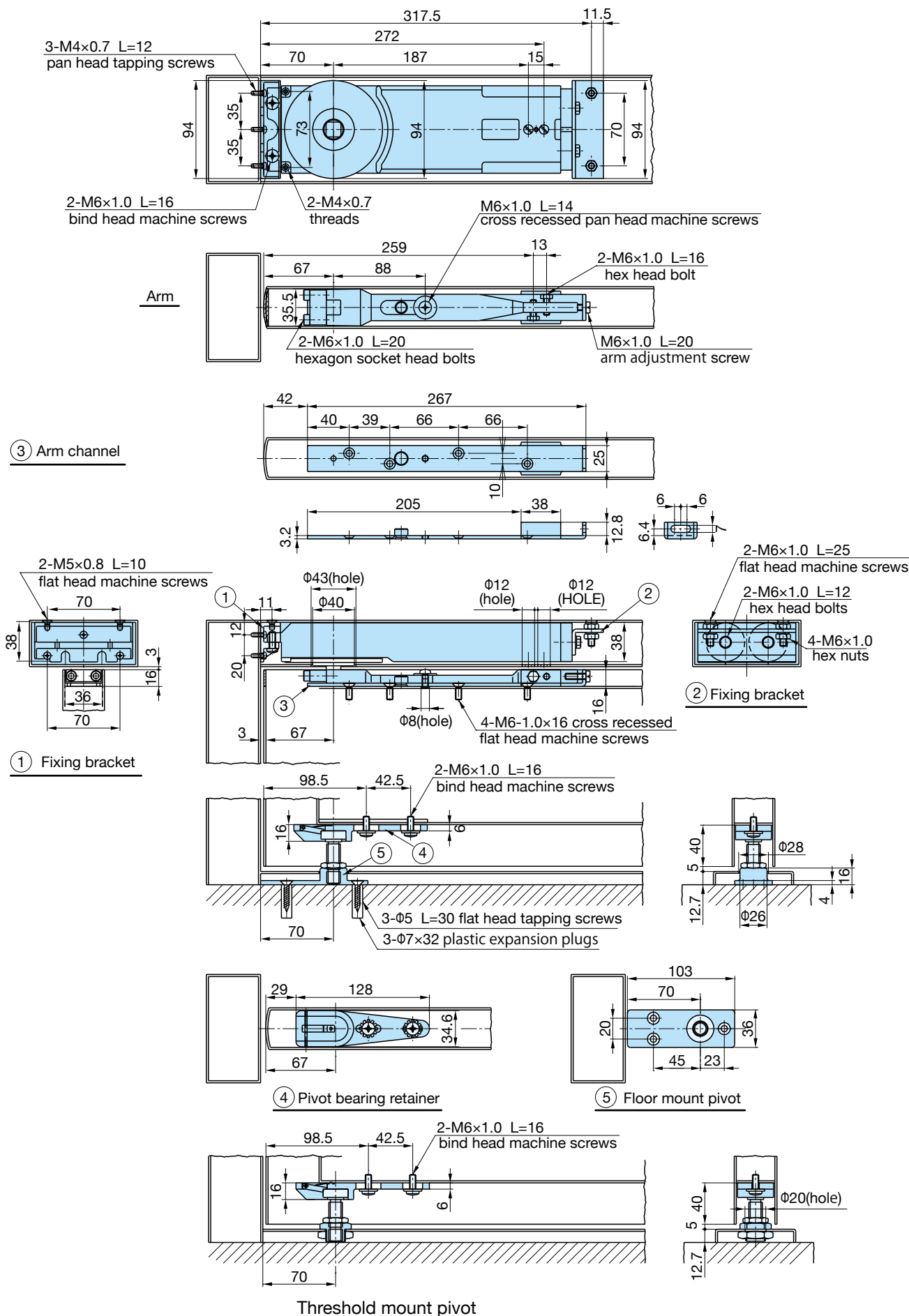
Threshold mount pivot



## Names of parts and accessories



End load application



**RYOBI LIMITED**

5-2-8 Toshima, Kita-ku Tokyo 114-8518, Japan

Tel. 81-3-3927-5536 Fax. 81-3-3927-5527

RYOBI is a registered trade mark of Ryobi Limited