

# Just Released

> New products from Lincoln Sentry

## Planning



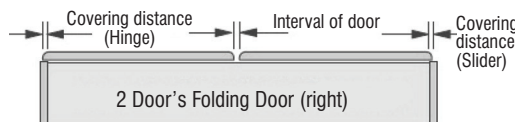
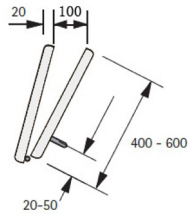
### 2 Door Set

#### Features:

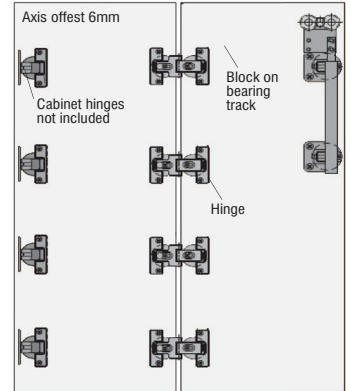
- Door width 400 - 600mm
- 25Kg MAX Door Leaf weight
- 25mm MAX Door thickness
- 3000m MAX Door height

#### 2 Door Formula

- Total (2) Door width = cabinet width + (covering distance1 + covering distance2)
- Individual (1) Door width = Cabinet - (1\* interval of door) + (covering distance1 + covering distance2)/2



Right hand door set shown, view from back of doors



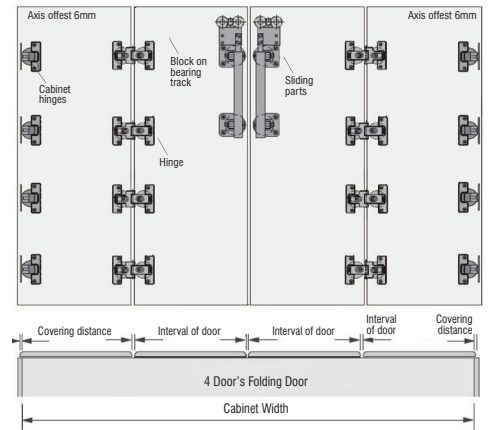
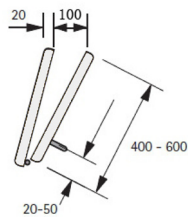
### 4 Door Set

#### Features:

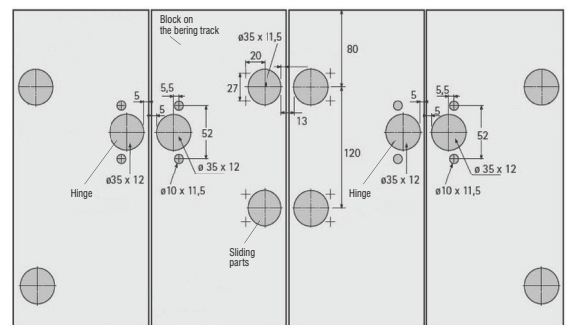
- Door width 400 - 600mm
- 25Kg MAX Door Leaf weight
- 25mm MAX Door thickness
- 3000m MAX Door height

#### 4 Door Formula

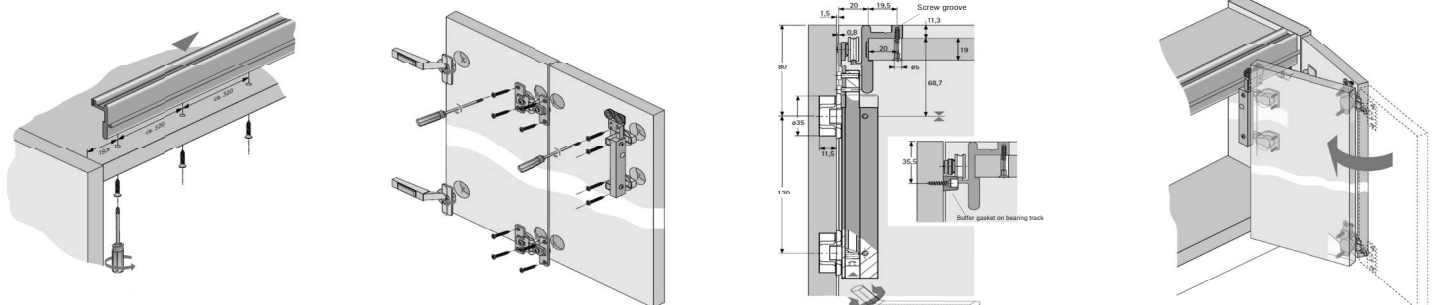
- Total (4) Door width = cabinet width + (2 \* covering distance)
- Individual Door width = Cabinet - (1\* interval of door) + (covering distance1 + covering distance2)/2



## Drilling Dimensions



## Installation



Contact your local Lincoln Sentry Territory Manager for more details.

BR0126CH

[www.lincolnsentry.com.au](http://www.lincolnsentry.com.au)  
1300 551 919