

TDH18P

series



Product Segments

- **Ergo Motion**

General Features

Max. available buttons	5
Display	3-digit display shows the height of the desk
Operational temperature range	+5°C~+45°C
2 or 3 Memory positions	
With 2 USB charging ports and safety lock button	
Especially designed for height-adjustable desks	
Compatible with the TWD1 (Bluetooth adapter)*	
Mounted to the desk front side	

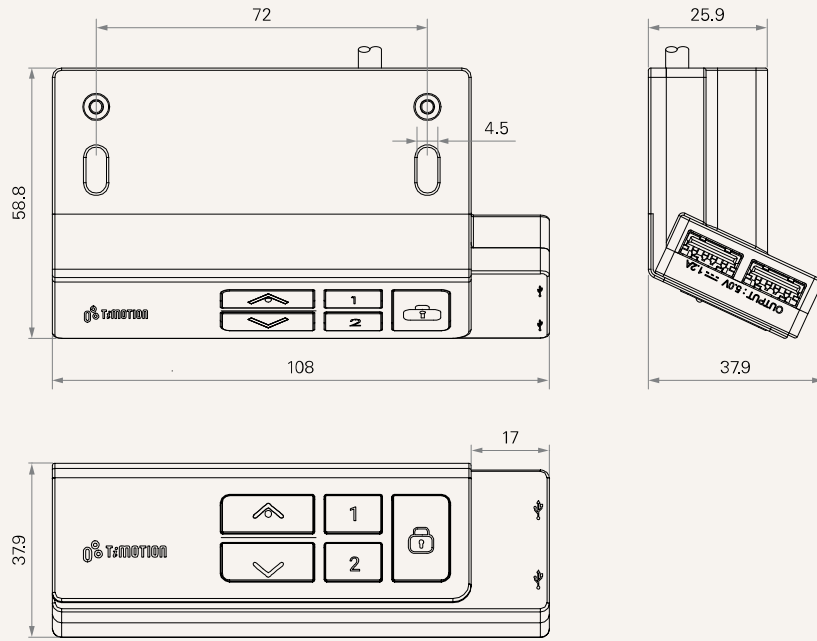
Note

* With TWD1, it can control the desk height remotely via the "STAND UP PLS" app.

TDH18P series

Drawing

Standard Dimensions
(mm)



TDH18P Ordering Key

TDH18P

Version: 20220530-I

<input type="checkbox"/>	Connector	6 = RJ 10P flat, 180°, for Ergo TC	7 = RJ 10P flat, 90°, for TC22
<input type="checkbox"/>	Front Panel	1 = Black	
<input type="checkbox"/>	Top / Bottom Cover Color	1 = Black	2 = White S
		See page 4	
<input type="checkbox"/>	Logo (Print)	1 = Without	2 = TiMOTION
<input type="checkbox"/>	Button Screen Printing	1 = Option 1- Funtional button: safety lock	2 = Option 2- Funtional button: memory 3
		See page 4	
<input type="checkbox"/>	Unit	1 = Metric system (cm)	2 = Imperial system (inch)
<input type="checkbox"/>	Cable Length (mm)	1 = Straight, 1000	
<input type="checkbox"/>	Anti-Pulling Tube	0 = Without	1 = With
<input type="checkbox"/>	Charging Function	1 = 1 charging port	2 = 2 charging ports
<input type="checkbox"/>	Buzzer	0 = Without	1 = With

Top / Bottom Cover

1 = Black

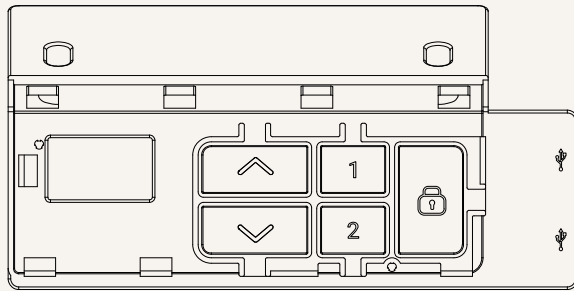


2 = White S

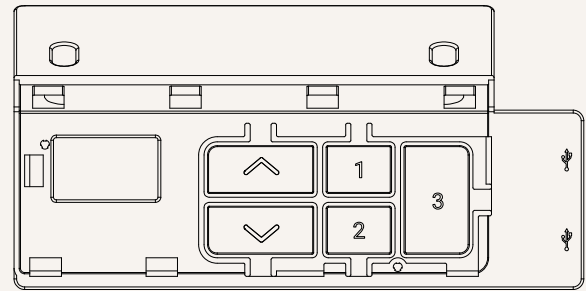


Button Screen Printing

1 = Option 1- Functional button: safety lock



2 = Option 2- Functional button: memory 3



Terms of Use

The user is responsible for determining the suitability of TiMOTION products for a specific application. TiMOTION products are subject to change without prior notice.