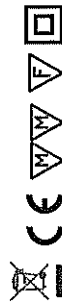


Assembly and Operating Instructions

LED RGB Colour Change System

Type: LED Transformer LED 12 Radio Controller

Colour change system with LED RGB stripes, for shops and exhibitions, counter tops and room elements.

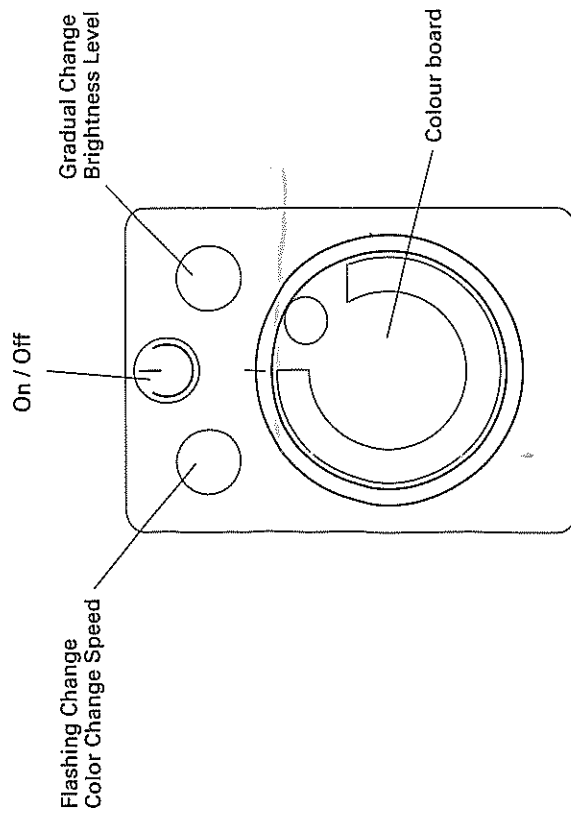


Prim. 240 V- / Sec. 12V DC constant
50 - 60 Hz

Operation of the controller

The LED RGB radio telecontrol has a remote distance of max. 15m. The radio controller has a memory function of the performance before a disconnection from the mains. After reestablish the mains connection the LED RGB Lines operate in the performance before the power failure.

Function of the Radio Telecontrol



- 1. On / Off**
Pressing this button turn the LED RGB Lines on and off. When the Lines turn on the last switching status is recovered (Memory-Function).
- 2. Flashing Change**
Display 7 colours red, green, blue, purple, grey blue, yellow and white by flashing automatically and circularly.

Assembly and Operating Instructions

LED RGB Colour Change System

Type: LED Transformer LED 12 Radio Controller

Colour change system with LED RGB stripes, for shops and exhibitions, counter tops and room elements.



Prim. 240 V- / Sec. 12V DC constant
50 - 60 Hz

- 3. Gradual Change**
Change the 7 colours red, green, blue, purple, grey blue, yellow and white gradually and circularly.
- 4. Colour board**
Free adjustable colour through colour board.
Attention: After 1 Minute a beep is emitted. The colour board is locked. To unlock, press one of the 3 buttons.
- 5. Brightness Level**
The brightness of the LED RGB Lines is dimmable in four steps. Holding down the button **Gradual Change** until a beep is emitted will decrease the brightness in increments. Each level is indicated through another beep.
- 6. Colour Change Speed**
The period of a colour loop can be adjusted to 8, 16, 32, 64 or 128 seconds. To change the speed hold down the button **Flashing Change** until a beep is emitted. Keep the button pushed and rotate the **Colour board** to change the speed.
An anti-clockwise rotation of the colour board for faster change speed or a clockwise rotation for slower change speed.

Assembly and Operating Instructions

LED RGB Colour Change System

Type: LED Transformer LED 12 Radio Controller

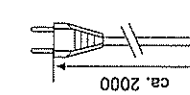
Colour change system with LED RGB stripes, for shops and exhibitions, counter tops and room elements.



Prim. 220 - 240 V- / Sec. 12V DC constant
50 - 60 Hz

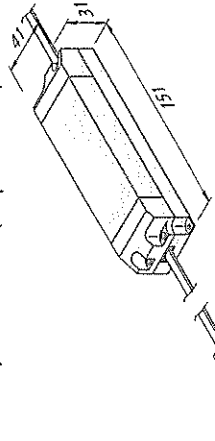
Components

LED 12/15W 12VDC (output 1 - 15W)



secondary cable max. 5 m

LED 12/30W 12VDC (output 2 - 30W)

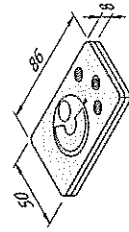


secondary cable max. 5 m

When the integrated overload protection is released because of an overload of the transformer the transformer switches on automatically after a short time (Auto - Reset).

LED RGB Radio Controller 12VDC

transmission frequency 2,4 GHz



4-way distributor

LED RGB Radio
Telecontrol



connect max. 8 LED RGB Lines at a transformer (output 15W)
connect max. 16 LED RGB Lines at a transformer (output 30W),
but max. 8 Lines or 2,4m per connecting cable

Hera grants no warranty for LED spotlights when other LED spotlights as the prescribed lines are used !!

No part of this publication may be reproduced without the prior permission of the publishers.

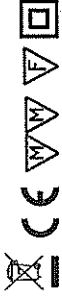
Hera®

Assembly and Operating Instructions

LED RGB Colour Change System

Type: LED Transformer LED 12 Radio Controller

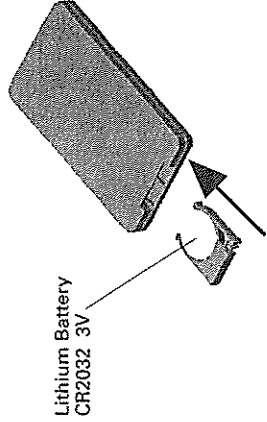
Colour change system with LED RGB stripes, for shops and exhibitions, counter tops and room elements.



Prim. 220 - 240 V- / Sec. 12V DC constant
50 - 60 Hz

Installation

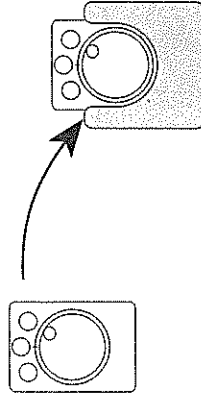
1. Connect the LED transformer to the mains.
2. Press the "Sturdy Button" in the radio controller with a sharp object such as screwdriver or refill for a ballpoint pen. The indicator lamp turns on blue.
3. Waiting for about 10s, put the battery (1 x Lithium Battery CR2032 3,0 V) in the radio telecontrol. A beep is emitted, the indicator lamp flashes and turns off.



Battery safety:

- Never attempt to recharge non-rechargeable batteries.
- Insert batteries correctly, observing plus (+) and minus (-) markings.
- Battery contacts should not be short-circuited.
- Only use batteries which match the recommended battery type or correspond to this type.
- Do not throw batteries into a fire as they could explode.
- Dispose of batteries safely.

4. The LED RGB Lines can now be controlled with the radio telecontrol.

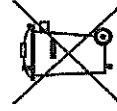


To preserve the radio telecontrol use the enclosed holder. The holder can be glued with adhesive sheet or fastened with screws.

Do not throw batteries in the household waste (!)

Used batteries/ rechargeable batteries should not be disposed of with normal household waste. As a consumer, you are obligated to dispose of used batteries / rechargeable batteries at a municipal collection point or local store, where it is free of charge.

The symbol of a waste container on your batteries/ rechargeable batteries with a line through it means that the batteries should not be disposed of with normal household waste. The symbol below the waste container stands for Pb: Battery contains lead, Cd: Battery contains cadmium, Hg: Battery contains mercury.



No part of this publication may be reproduced without the prior permission of the publishers.

Hera®

Assembly and operating Instructions

LED RGB Colour Change System
LED 12/30W incl. LED RGB Receiver 2 and
LED RGB Remote Control 2

Intended use

Colour change system with LED RGB stripes, for shops and exhibitions,
counter tops and room elements.



N19514

Prim. / Sec.

220 - 240 V- / 12V DC constant
50 - 60 Hz

Operation of the remote control

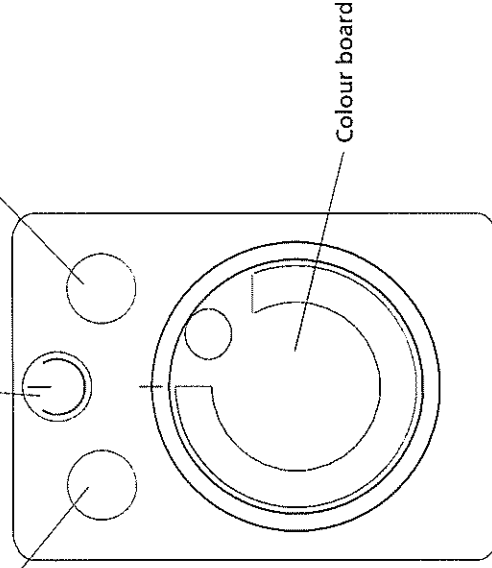
The LED RGB remote control has a remote distance of max. 15m. The receiver has a memory function of the performance before a disconnection from the mains. After reestablish the mains connection the LED RGB Lines operate in the performance before the power failure.

Function of the remote control

Flashing Change
Color Change Speed

On / Off

Gradual Change
Brightness Level



1. On / Off

Pressing this button turn the LED RGB Lines on and off. When the Lines turn on the last switching status is recovered (Memory-Function).

2. Flashing Change

Display 7 colours red, green, blue, purple, grey blue, yellow and white by flashing automatically and circularly.

Assembly and operating Instructions

LED RGB Colour Change System
LED 12/30W incl. LED RGB Receiver 2 and
LED RGB Remote Control 2

Intended use

Colour change system with LED RGB stripes, for shops and exhibitions,
counter tops and room elements.



N19514

Prim. / Sec.

220 - 240 V- / 12V DC constant
50 - 60 Hz

3. Gradual Change

Change the 7 colours red, green, blue, purple, grey blue, yellow and white gradually and circularly.

4. Colour board

Free adjustable colour through colour board.

Attention: After 1 Minute a beep is emitted. The colour board is locked. To unlock, press one of the 3 buttons.

5. Brightness Level

The brightness of the LED RGB Lines is dimmable in four steps. Holding down the button **Gradual Change** until a beep is emitted will decrease the brightness in increments. Keep the button pushed and rotate the **Colour board** to change the brightness.

An anti-clockwise rotation of the colour board for higher brightness or a clockwise rotation for lower brightness.

6. Colour Change Speed

The period of a colour loop can be adjusted to 8, 16, 32, 64 or 128 seconds. To change the speed hold down the button **Flashing Change** until a beep is emitted. Keep the button pushed and rotate the **Colour board** to change the speed.

An anti-clockwise rotation of the colour board for faster change speed or a clockwise rotation for slower change speed.

Assembly and operating Instructions

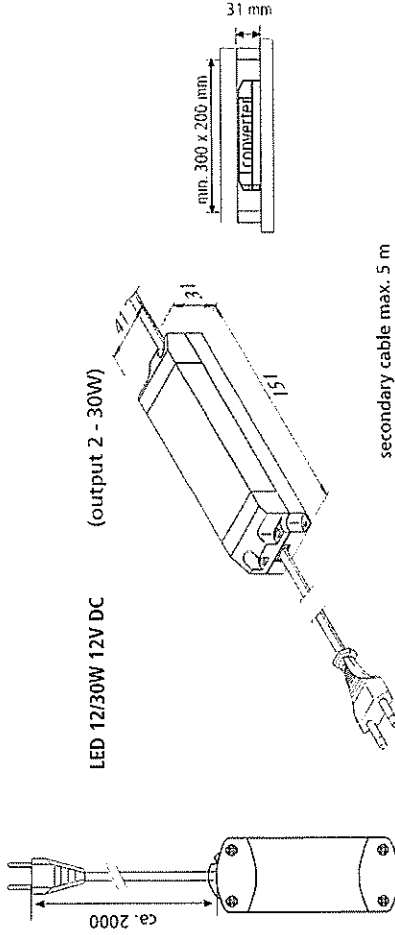
LED RGB Colour Change System
LED 12/30W incl. LED RGB Receiver 2 and
LED RGB Remote Control 2

Intended use
Colour change system with LED RGB stripes, for shops and exhibitions,
counter tops and room elements.



N19514

Prim. / Sec.
220 - 240 V- / 12V DC constant
50 - 60 Hz



When the integrated overload protection is released because of an overload of the converter the converter switches on automatically after a short time (Auto - Reset).

The receiver must be mounted in horizontal position (imprint on the bottom side).

Hera grants no warranty for LED spotlights when other LED spotlights as the prescribed lines are used !

Reproduction of this document in whole or part is forbidden.

Hera
Hera GmbH & Co. KG
Dieselstraße 9
32130 Enger / Germany

Assembly and operating Instructions

LED RGB Colour Change System
LED 12/30W incl. LED RGB Receiver 2 and
LED RGB Remote Control 2

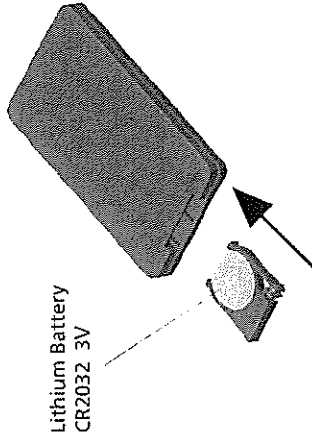
Intended use
Colour change system with LED RGB stripes, for shops and exhibitions,
counter tops and room elements.



N19514

Prim. / Sec.
220 - 240 V- / 12V DC constant
50 - 60 Hz

Installation of the Battery



Battery safety:

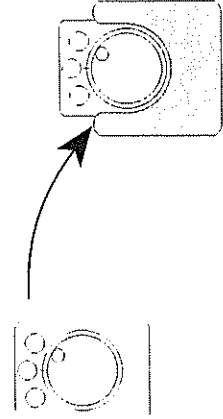
- Never attempt to recharge non-rechargeable batteries.
- Insert batteries correctly, observing plus (+) and minus (-) markings.
- Battery contacts should not be short-circuited.
- Only use batteries which match the recommended battery type or correspond to this type.
- Do not throw batteries into a fire as they could explode.
- Dispose of batteries safely.

Program another Radio Controller

1. Connect the LED transformer to the mains.
2. Press the „Study Button“ in the radio controller with a sharp object such as screwdriver or refill for a ballpoint pen.
The indicator lamp turns on blue.

3. Press the on/off button of the radio telecontrol for approx. 1 second. The indicator lamp flashes and turns off.
4. The LED RGB Lines are now synchronised with the radio controller.

A permanent flashing of the indicator lamp has no influence on the normal operation.



To preserve the radio telecontrol use the enclosed holder. The holder can be glued with adhesive sheet or fastened with screws.

22601163404 05.09.2013

Reproduction of this document in whole or part is forbidden.

Hera
Hera GmbH & Co. KG
Dieselstraße 9
32130 Enger / Germany