

# Optimum™ Mortice Lock

Palladium Furniture, 4 Point



ASSA ABLOY

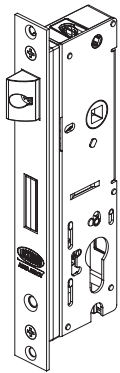
ASSA ABLOY, the global leader in door opening solutions.

## Installation Instructions

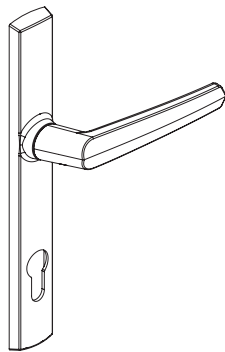
**Application:** Provides multipoint locking with secure deadlocking for aluminium hinged doors. Palladium Xtra furniture available with daylatch snib and LockAlert features.

### Tools Required:

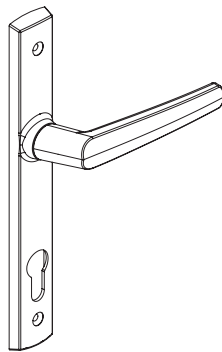
- Drill
- 3.2mm Drill Bit
- 10.0mm Drill Bit
- 20.0mm Drill Bit
- Phillips Screwdriver #2



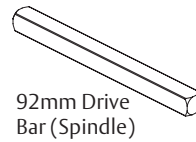
4-Point Lock



Exterior Furniture  
(Aria Furniture shown)

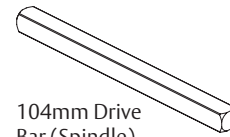


Interior Furniture  
(Aria Furniture shown)

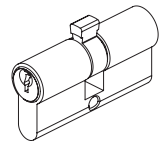


92mm Drive Bar (Spindle)

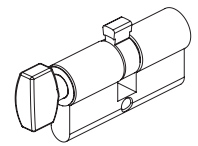
or



104mm Drive Bar (Spindle)



or



M4 Furniture fixing screws



M5 Cylinder fixing screw



2mm Latch Packer



Latch wear pad



Shootbolt Rod  
1.3m



Shootbolt Rod  
1.0m



Steel 'D' Tip

or



Plastic 'D' Tip



Steel Rod Tip Pin

### Screw Selection:

Screw	Stile Width
M4 x 49mm	38 - 43mm
M4 x 55mm	43 - 49mm
M4 x 60mm	46 - 55mm
M4 x 65mm	55 - 58mm

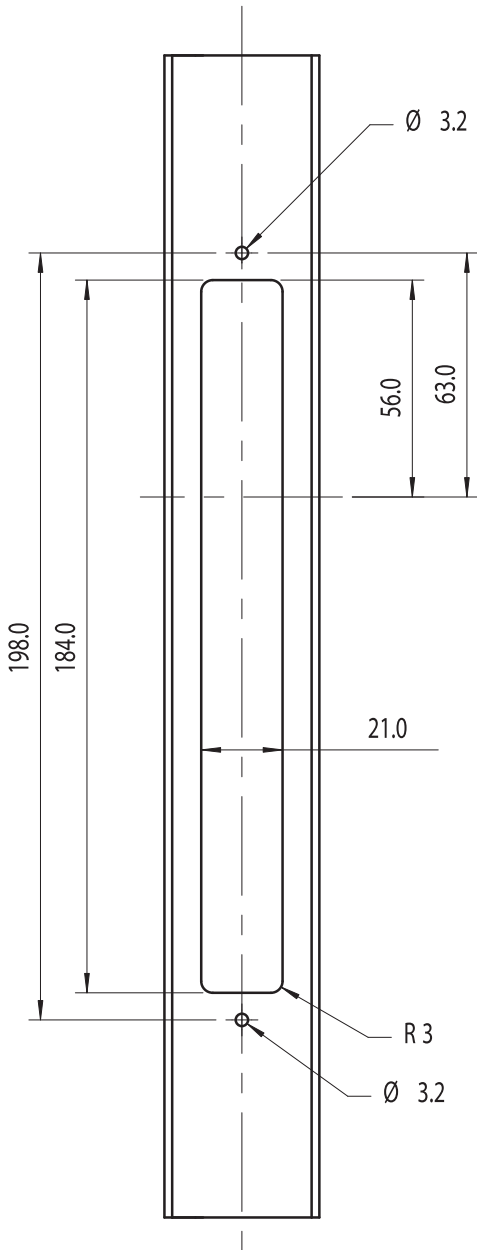
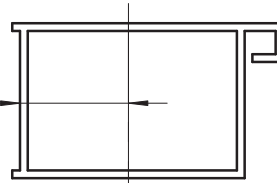
Note: Furniture, cylinders and multipoint locking rod components supplied separately.

### 1. Door Preparation

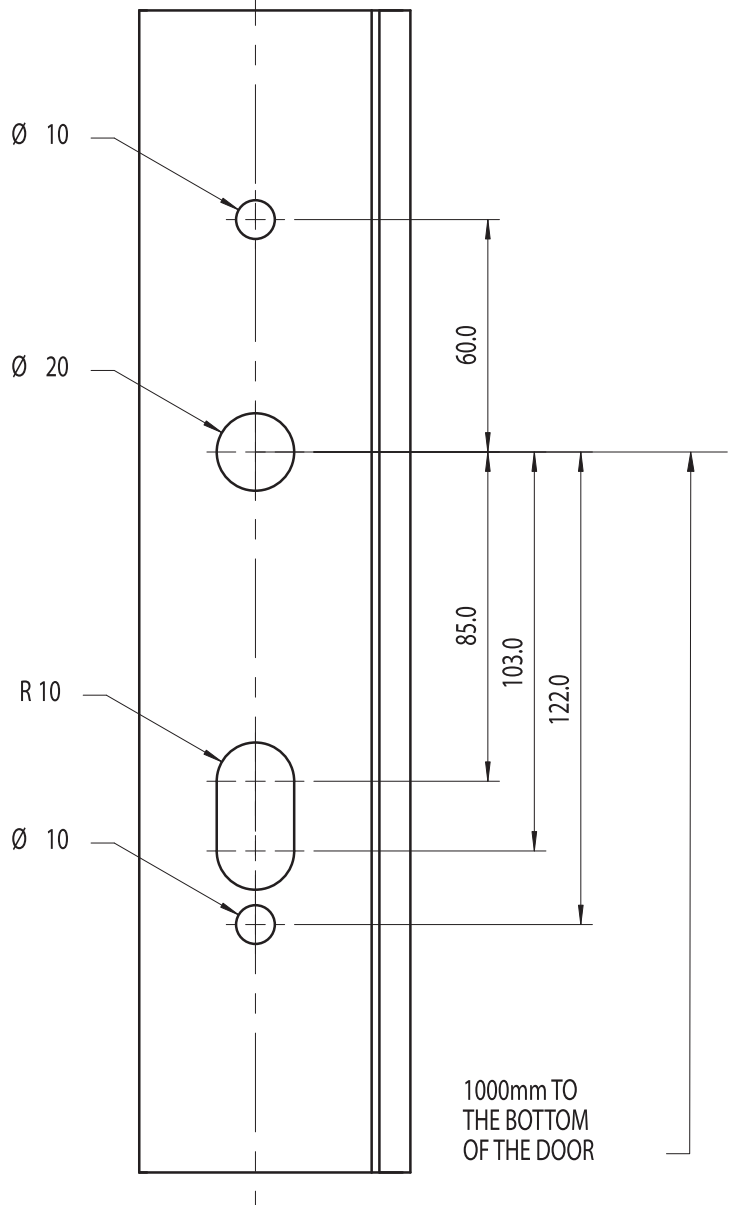
Route the door as shown in the routing diagram.

30mm BACKSET ROUTING IS 28.0mm FROM FACE  
40mm BACKSET ROUTING IS 38.0mm FROM FACE  
50mm BACKSET ROUTING IS 48.0mm FROM FACE

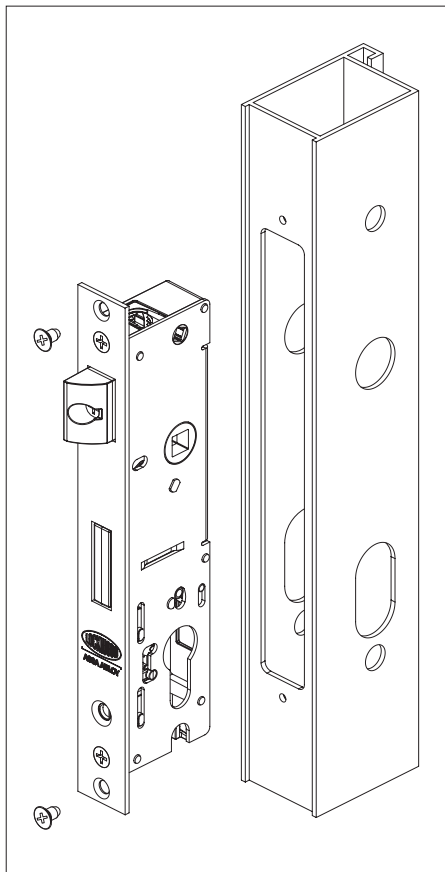
TOP VIEW OF STILE



FRONT VIEW OF STILE

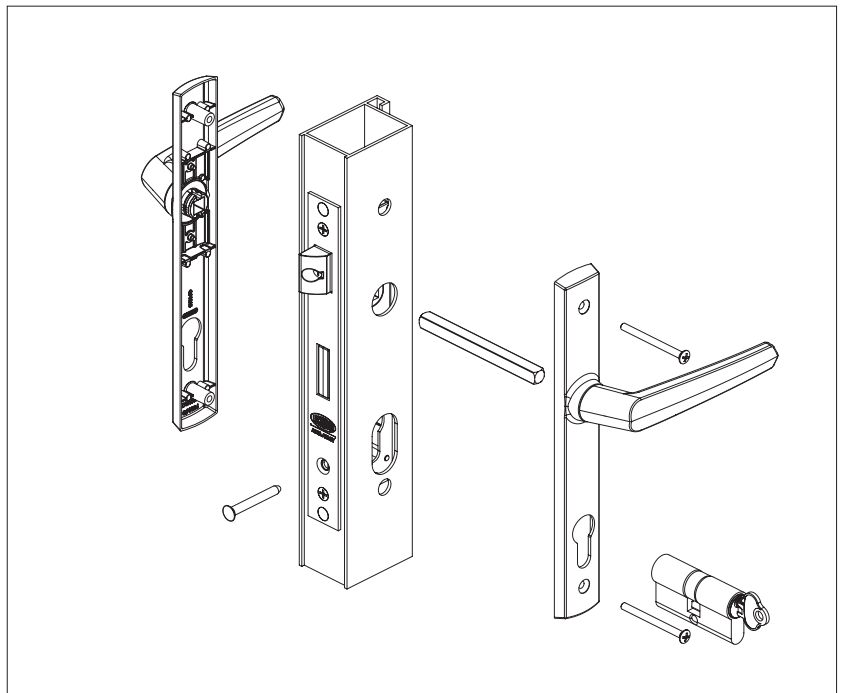


SIDE VIEW OF STILE



## 2. Fixing Lock

- Place the lock assembly into the stile
- Fix the lock onto the stile using the two 8g x 7.5 screws



## 3. Fixing Furniture and Cylinder

- Insert the drive bar (spindle) through the square drive hole in the lock
- Place the furniture onto the drive bar. For security, ensure the interior handle is on the inside of the house
- Place the cylinder through the cylinder hole
- Fix cylinder using the M5 cylinder fixing screw as supplied
- Fix together the furniture using the two M4 furniture fixing screws. See screw selection chart to determine correct screw length

**Note:** If fixing Palladium Xtra Furniture with daylatch snib and LockAlert, refer to separate Palladium Xtra Furniture instructions enclosed.

## 4. Assembly of Shootbolt Rod Ends

Trim the lock rods to length allowing for:

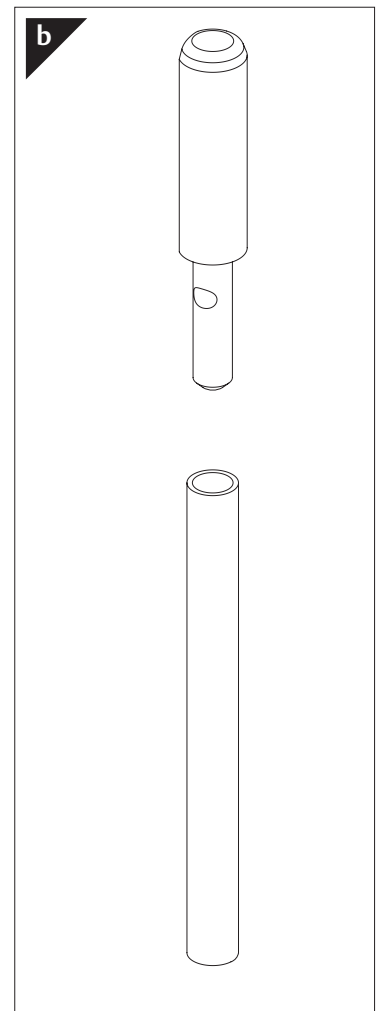
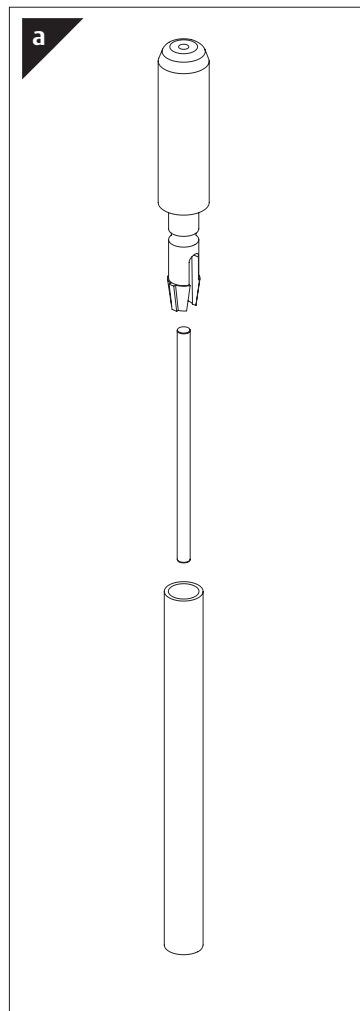
- A throw of 18mm
- Length of 'D' tip 44mm
- Engagement into lock racks of 11mm

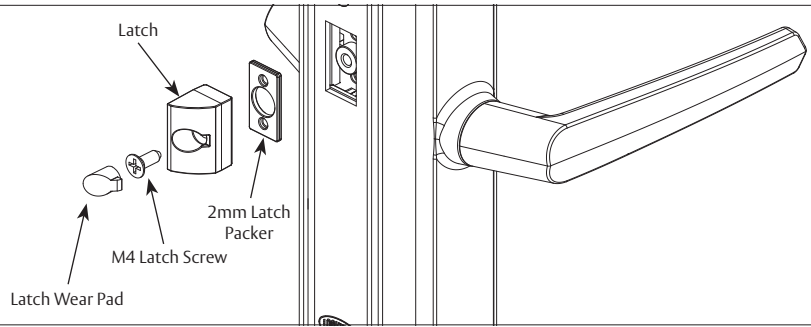
### a) Plastic Rod Ends

- Insert the steel pin into the plastic 'D' tip. The steel pin should be inserted from the open end rather than the smaller drainage hole
- Insert the combined part into the top of the shootbolt rod
- Crimp the shootbolt rod, by applying pressure on the shootbolt rod in line with the groove around the 'D' tip to ensure the two parts cannot be easily separated. A tool is available for this purpose (P84042)
- Repeat steps 1-3 again for the bottom shootbolt rod
- Insert the rods from the top and bottom of the stile and screw into the lock

### b) Stainless Steel Rod Ends

- Insert the supplied stainless steel 'D' tips into the top of the shootbolt rod
- Crimp the shootbolt rod, by applying pressure on the shootbolt rods in line with the groove around the 'D' tip shank to ensure the two parts cannot be easily separated. A tool is available for this purpose (P84042)
- Repeat steps 1-3 again for the bottom shootbolt rod
- Insert the rods from the top and bottom of the stile and screw into the lock

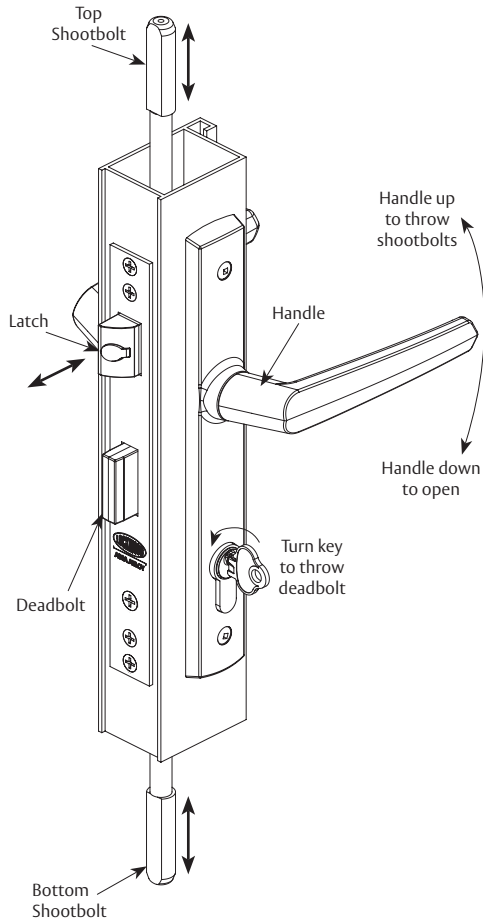




### 6. Latch Reversal

- Turn cylinder to lock latch
- Undo the M4 latch screw
- Reverse the latch as desired
- Refasten the M4 latch screw to secure the latch
- Insert the latch wear pad

**Note:** 2mm Latch Packer is provided to allow for latch projection adjustment. An additional 2mm packer is available for purchase.



### 7. Lock operation

#### Deadlocking Operation

- Pull the door shut. The door will self-latch
- Turn the key towards the edge of the door to deadlock
- The door is now secure from exterior and interior

#### Shootbolt Operation

- Lift the handle to engage the shootbolts (either when door is unlocked or locked)
- To retract the shootbolts ensure door is unlocked. Push the handle down and release

#### Opening Operation

- Turn the key away from the door edge to deactivate the deadlock
- If shootbolts are engaged, push handle down and release
- Retract the latch

Troubleshooting	
Do I need to tap holes?	No. All screws are self tapping.
The furniture screws do not tighten	Ensure the screws line up with the screw boss on the exterior handle.
Do I have to use the supplied screws?	For best performance, it is recommended that only the supplied screws are used.
The key function does not operate	Ensure the motion of the latch is not restricted.  Ensure the shootbolts are either fully engaged or fully retracted.