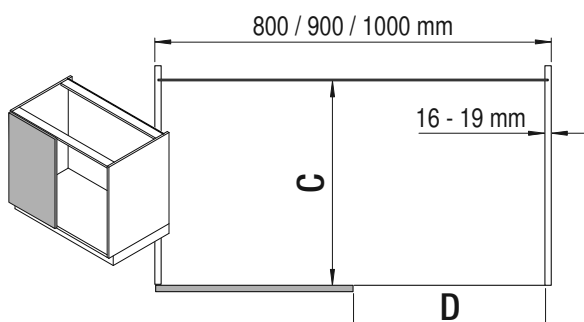
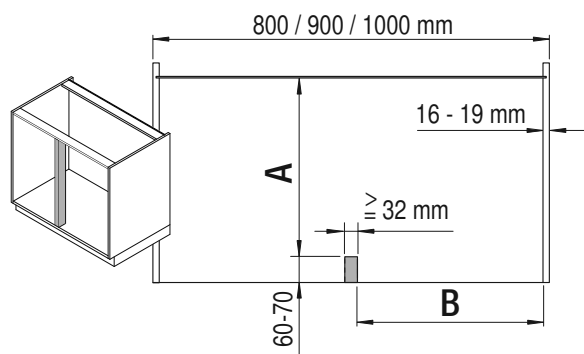
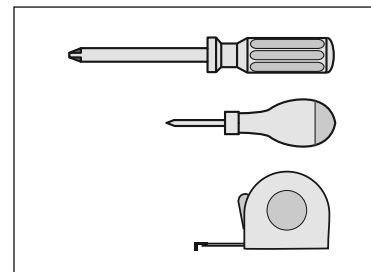
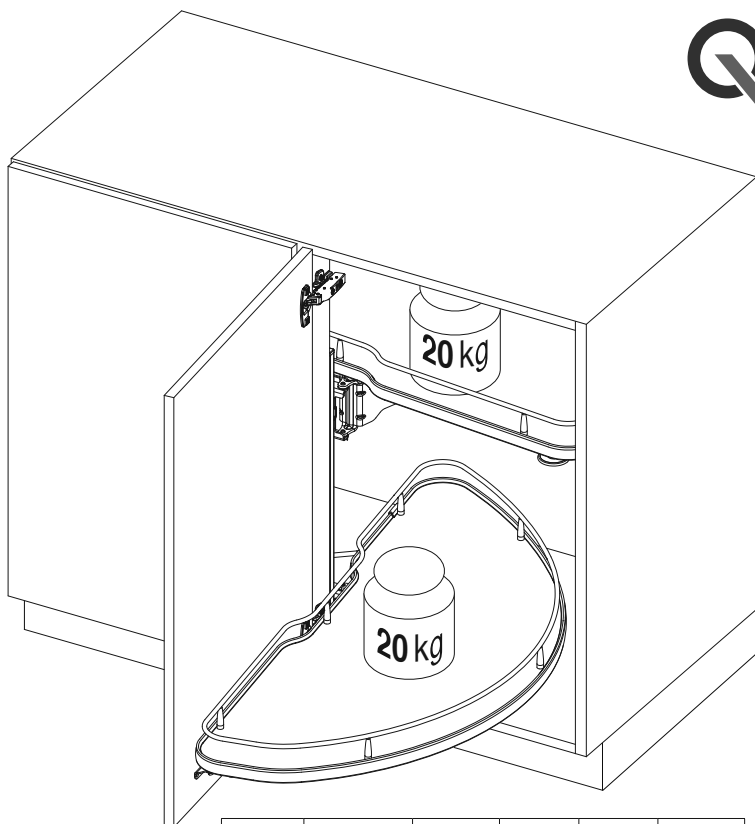


05 / 2017



# VS CORNERSTONE R



T	K	A	B	C	D
T400	800	≥ 425	≥ 362	≥ 485	≥ 381
T450	900	≥ 425	≥ 412	≥ 485	≥ 431
T500	1000	≥ 425	≥ 462	≥ 485	≥ 481
T600	min. 1000	≥ 425	≥ 562	≥ 485	≥ 581

**e**  
 (4 x) 4 x 40 mm

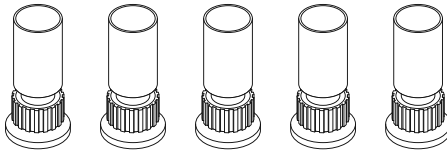
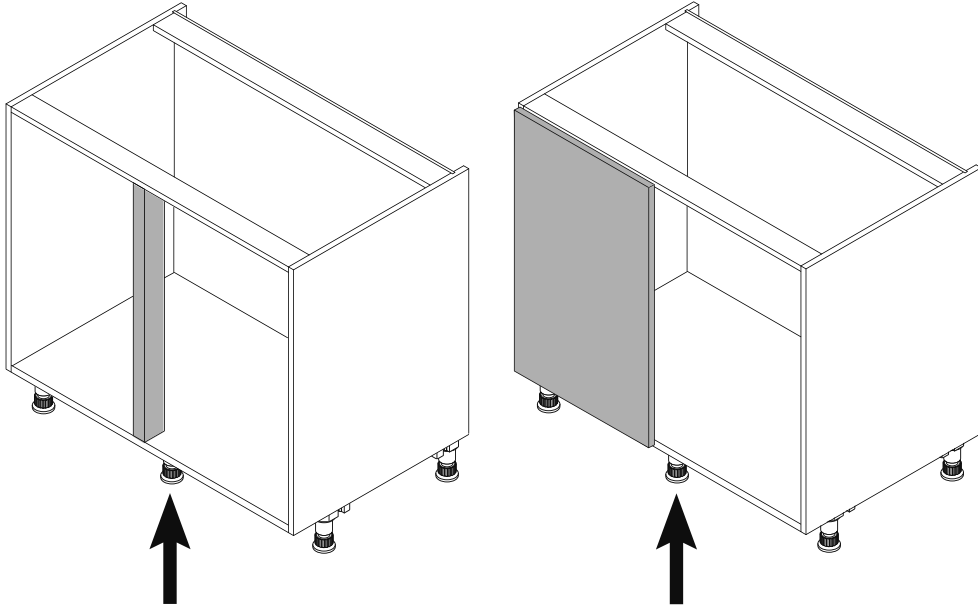
**d**  
 (6 x) 4 x 16 mm

**a**

**b**  
 (4 x) M4 x 20 mm

**c**

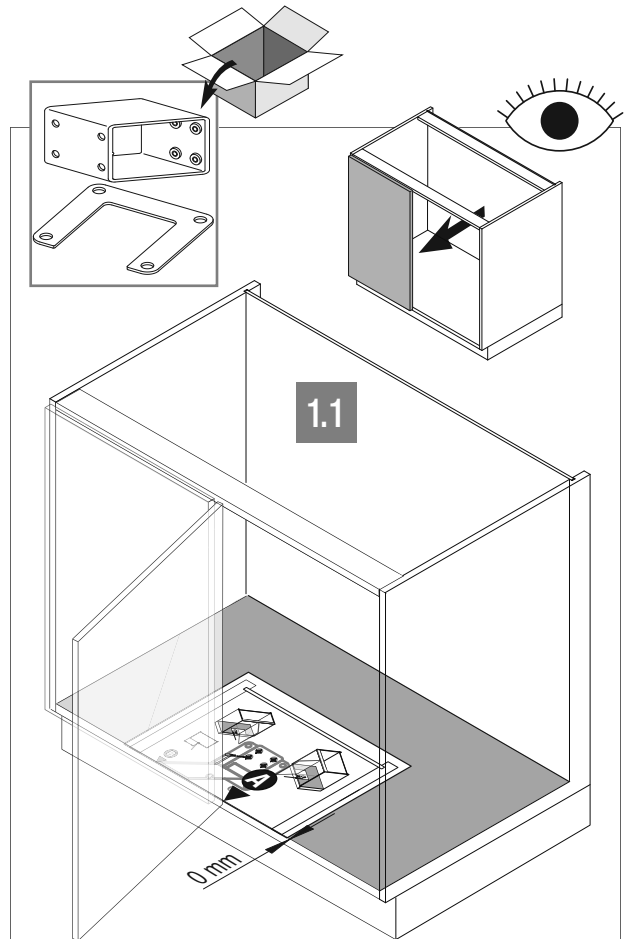
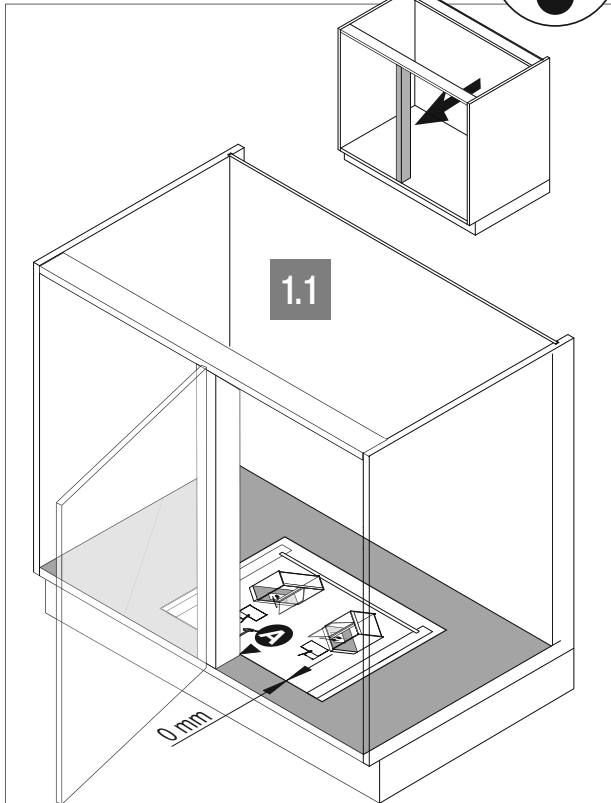
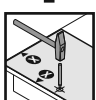
**d**  
 (8 x) 4 x 16 mm



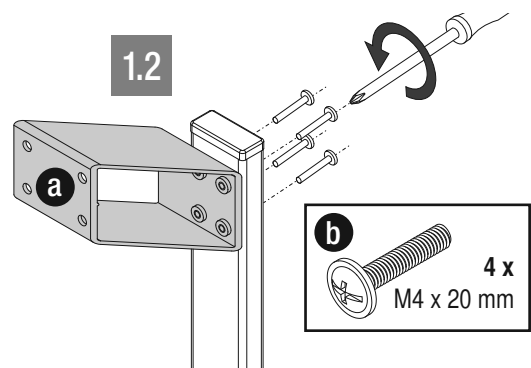
1R



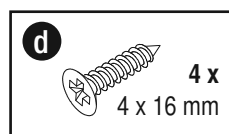
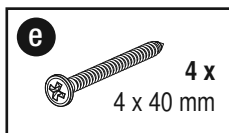
A



1.2

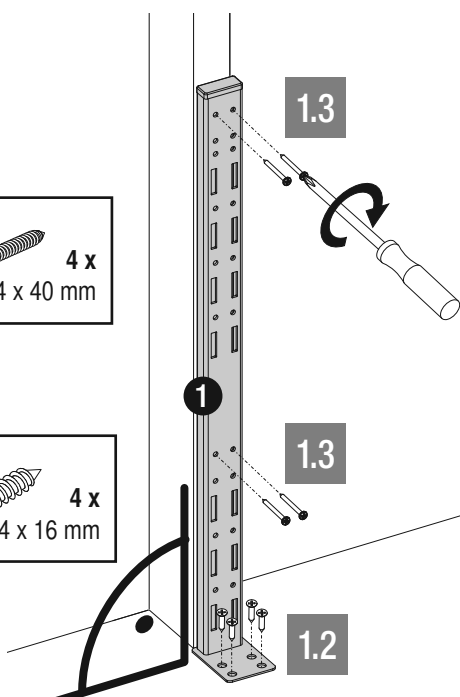


1.3

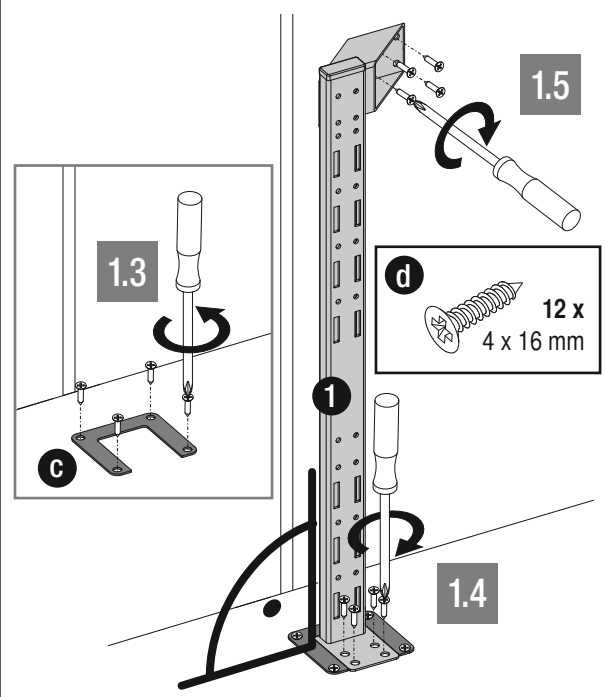


1.3

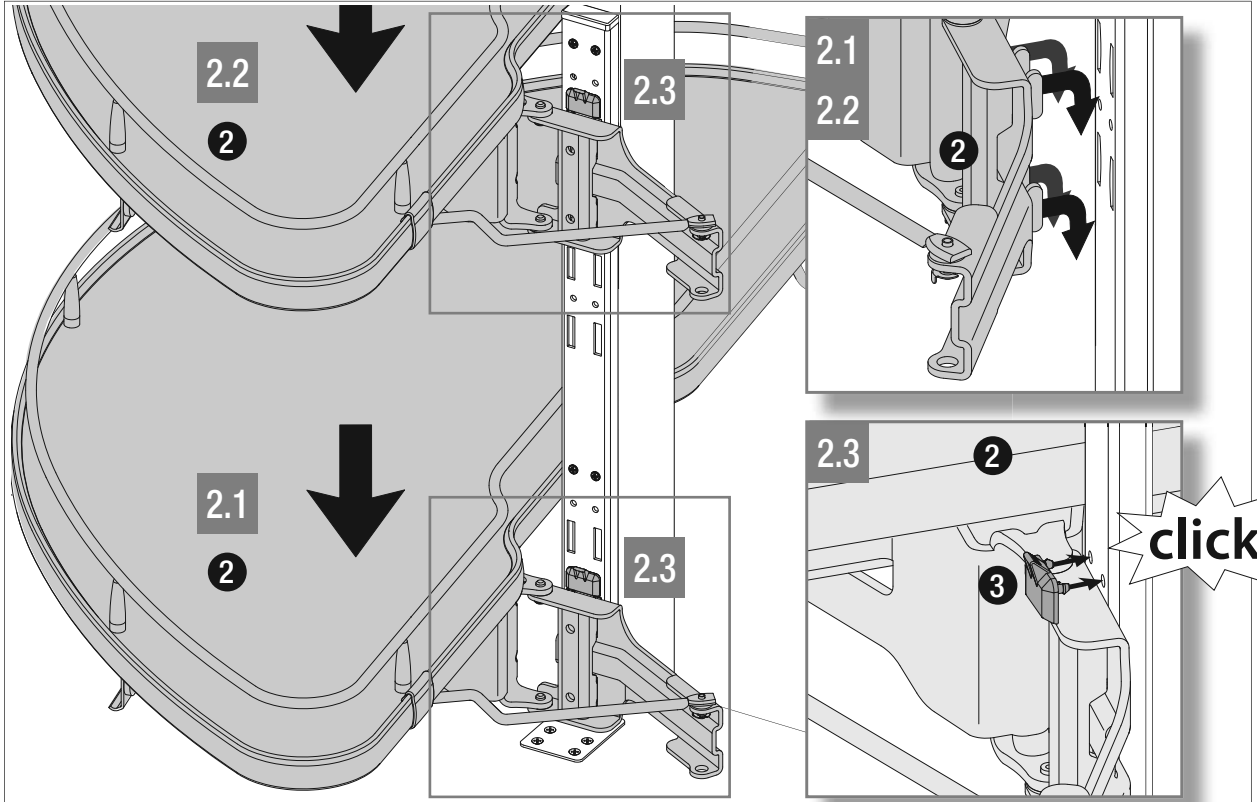
1.2



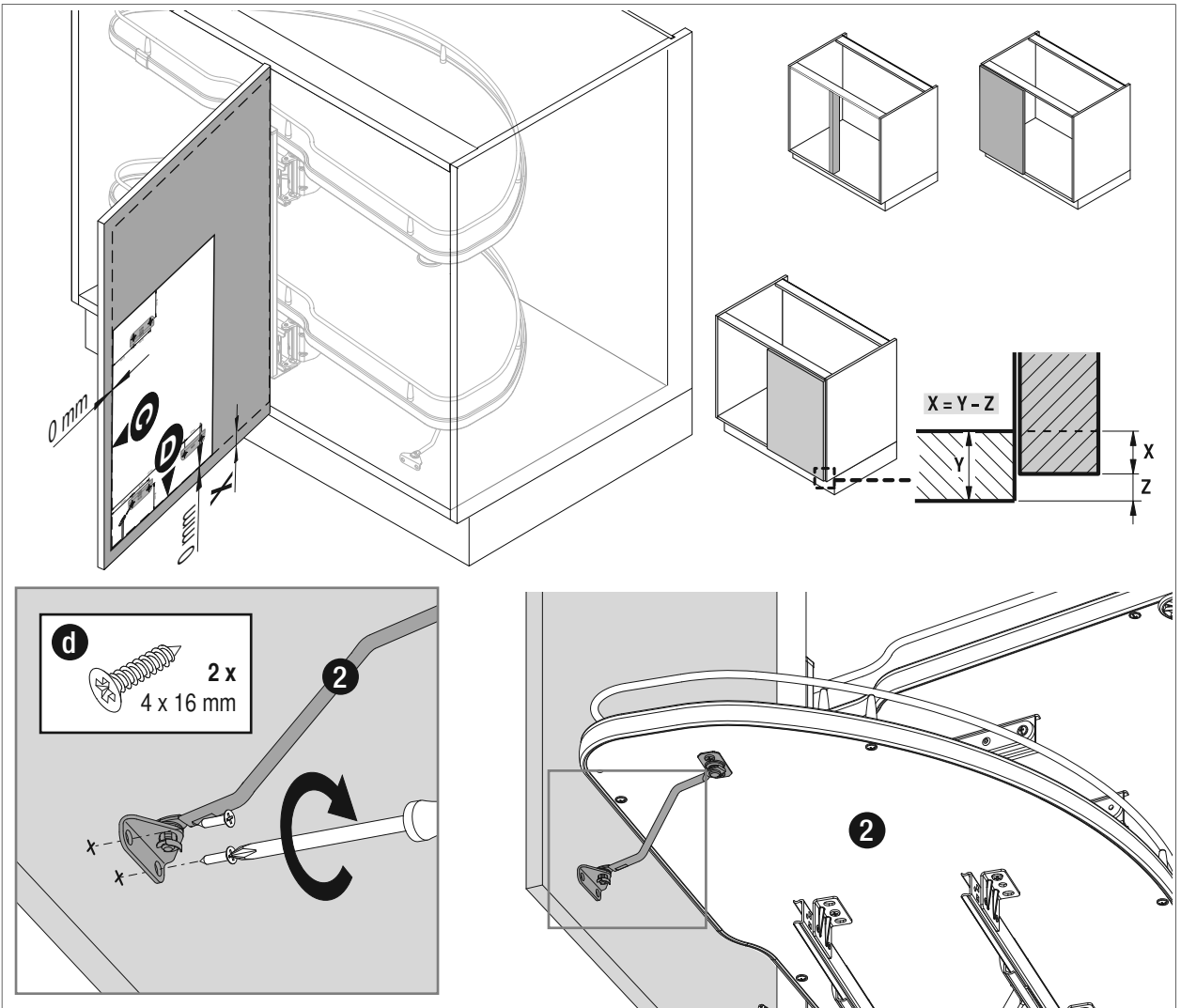
1.5

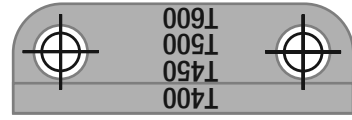


**2R**

**3R**

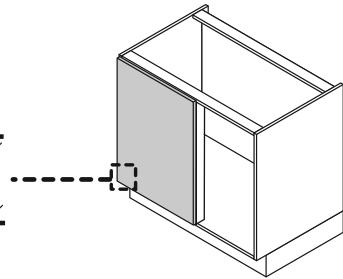
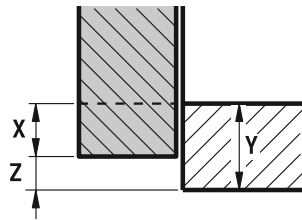
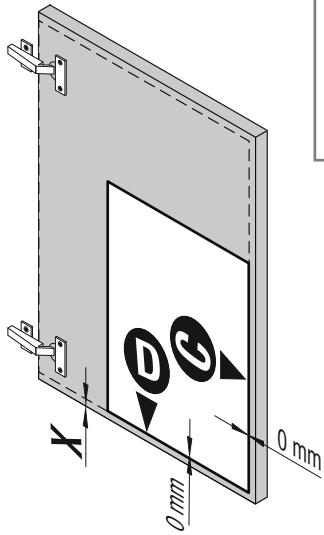
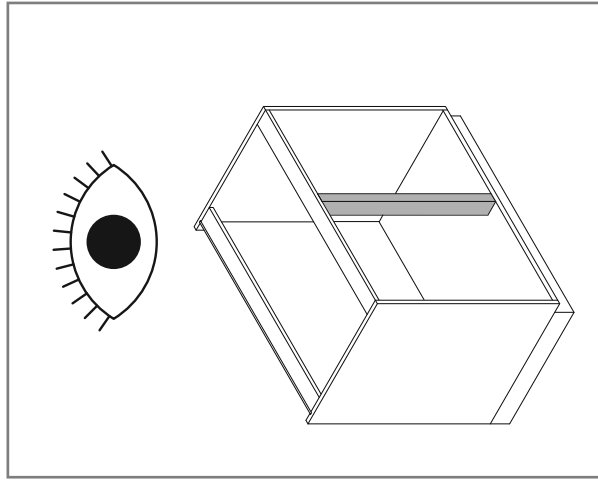
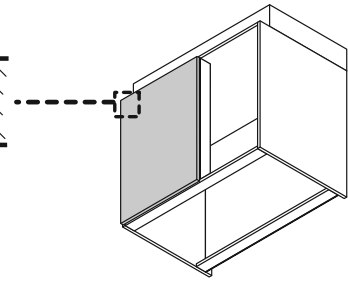
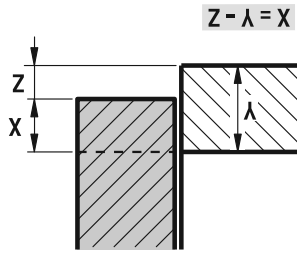
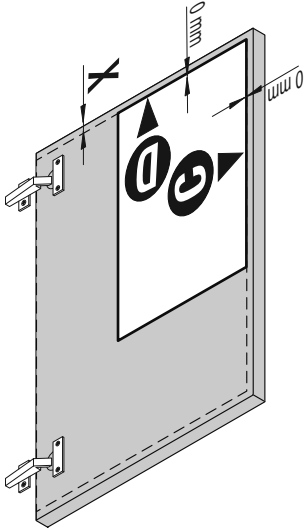





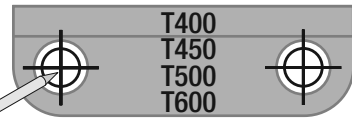
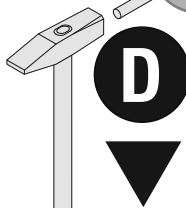
32 mm

62 mm

32 mm



$X = Y - Z$

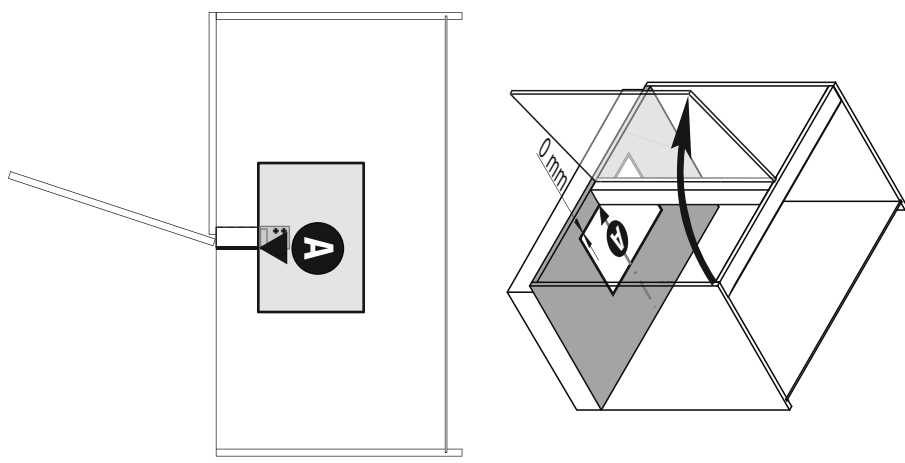
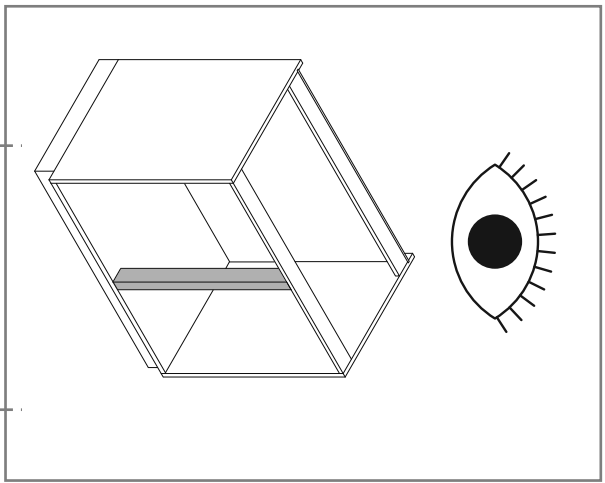
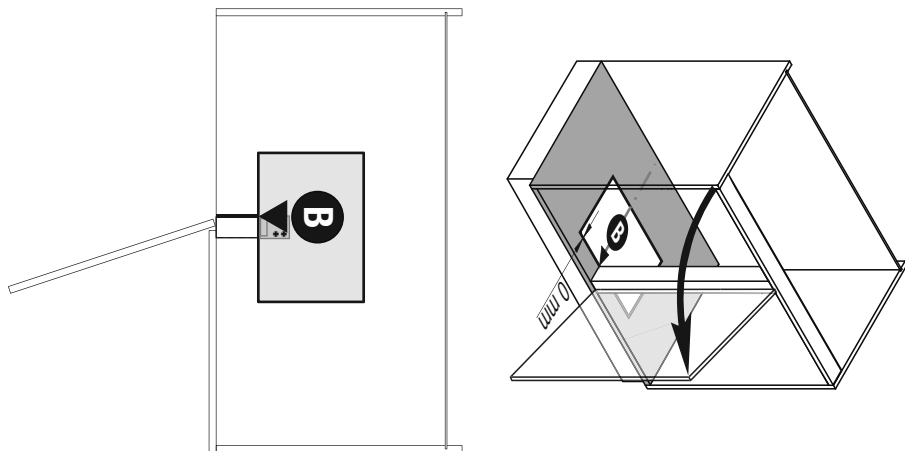
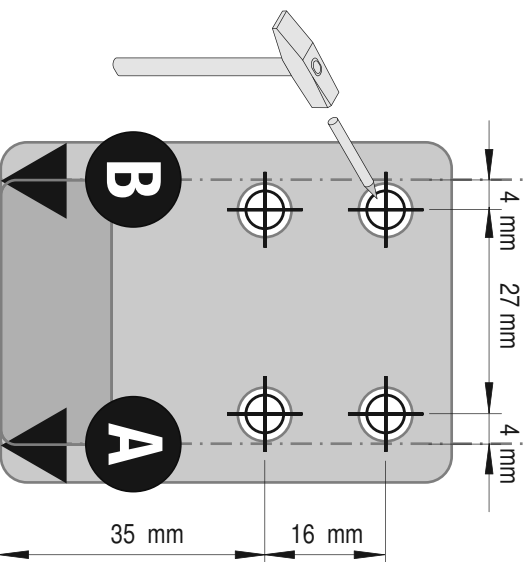
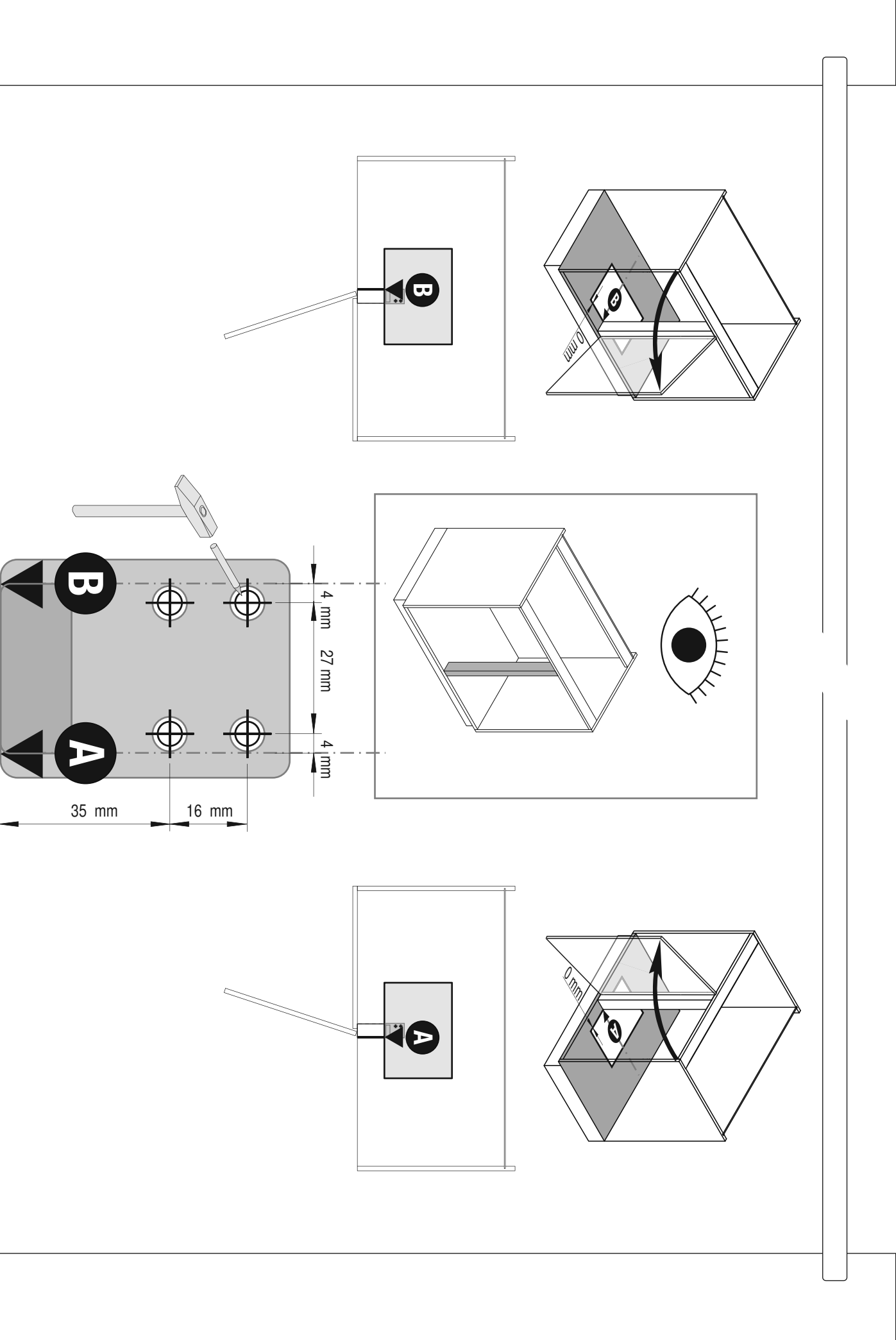


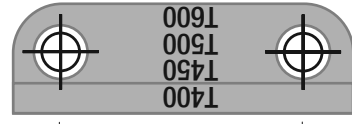
32 mm

62 mm

32 mm

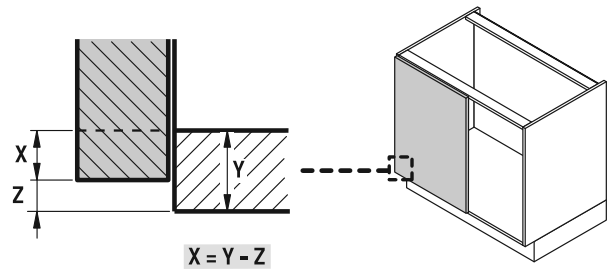
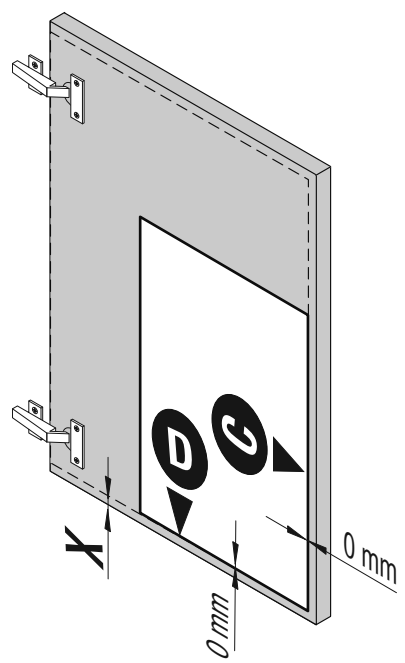
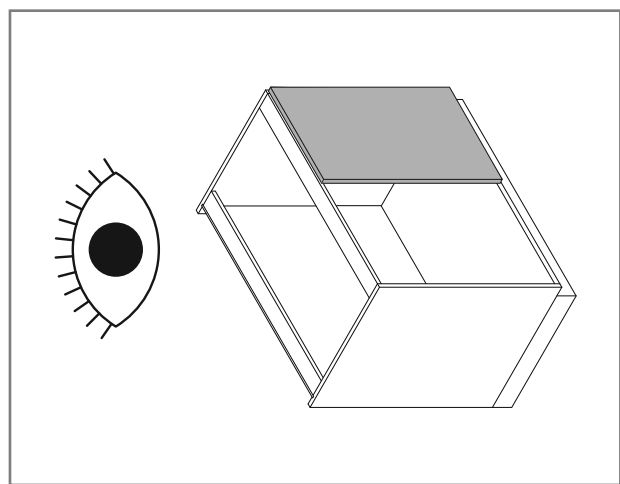
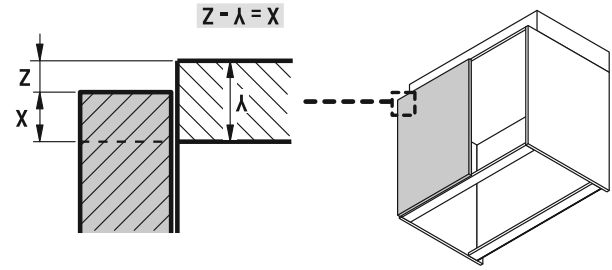
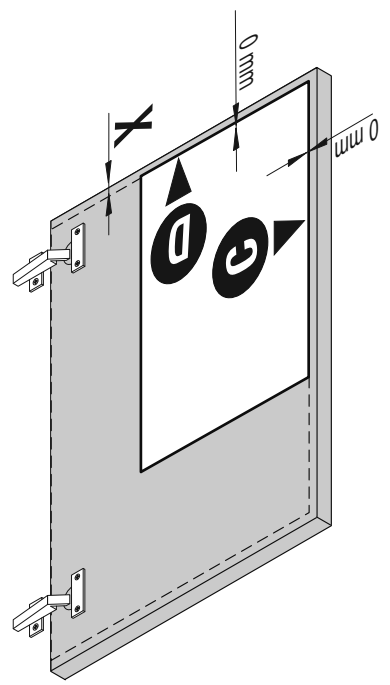




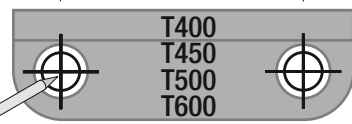


32 mm 62 mm

32 mm



32 mm 62 mm



32 mm



