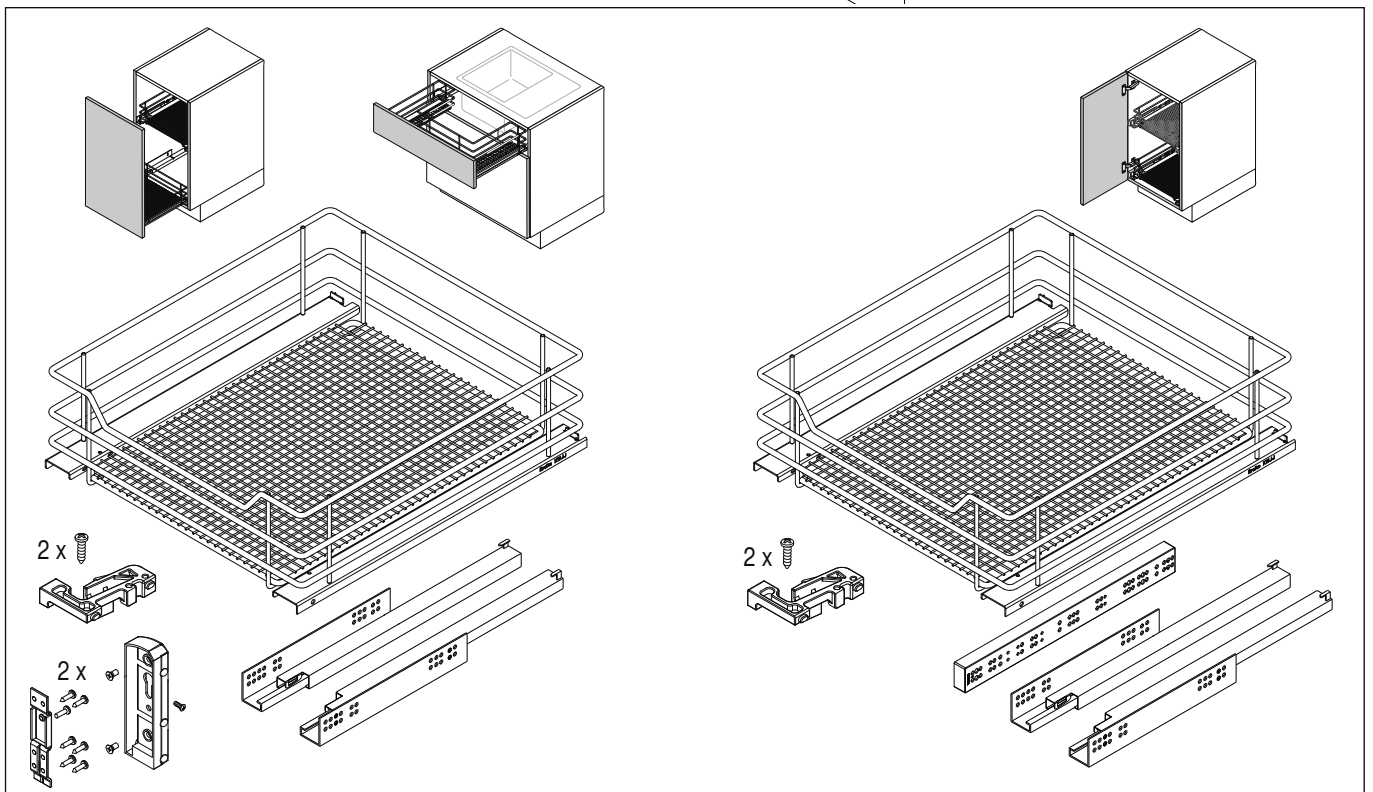
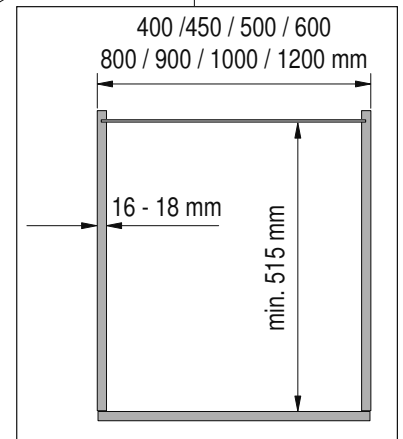
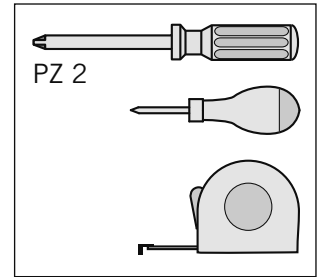
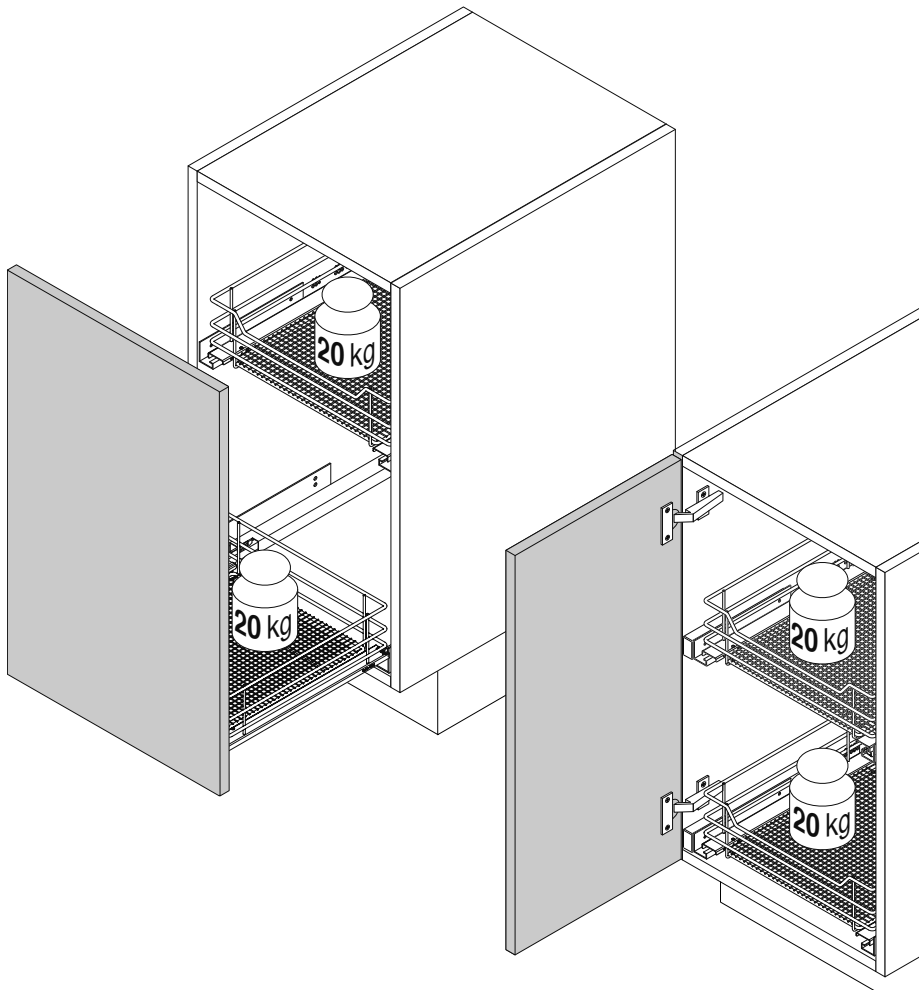


05 / 2017

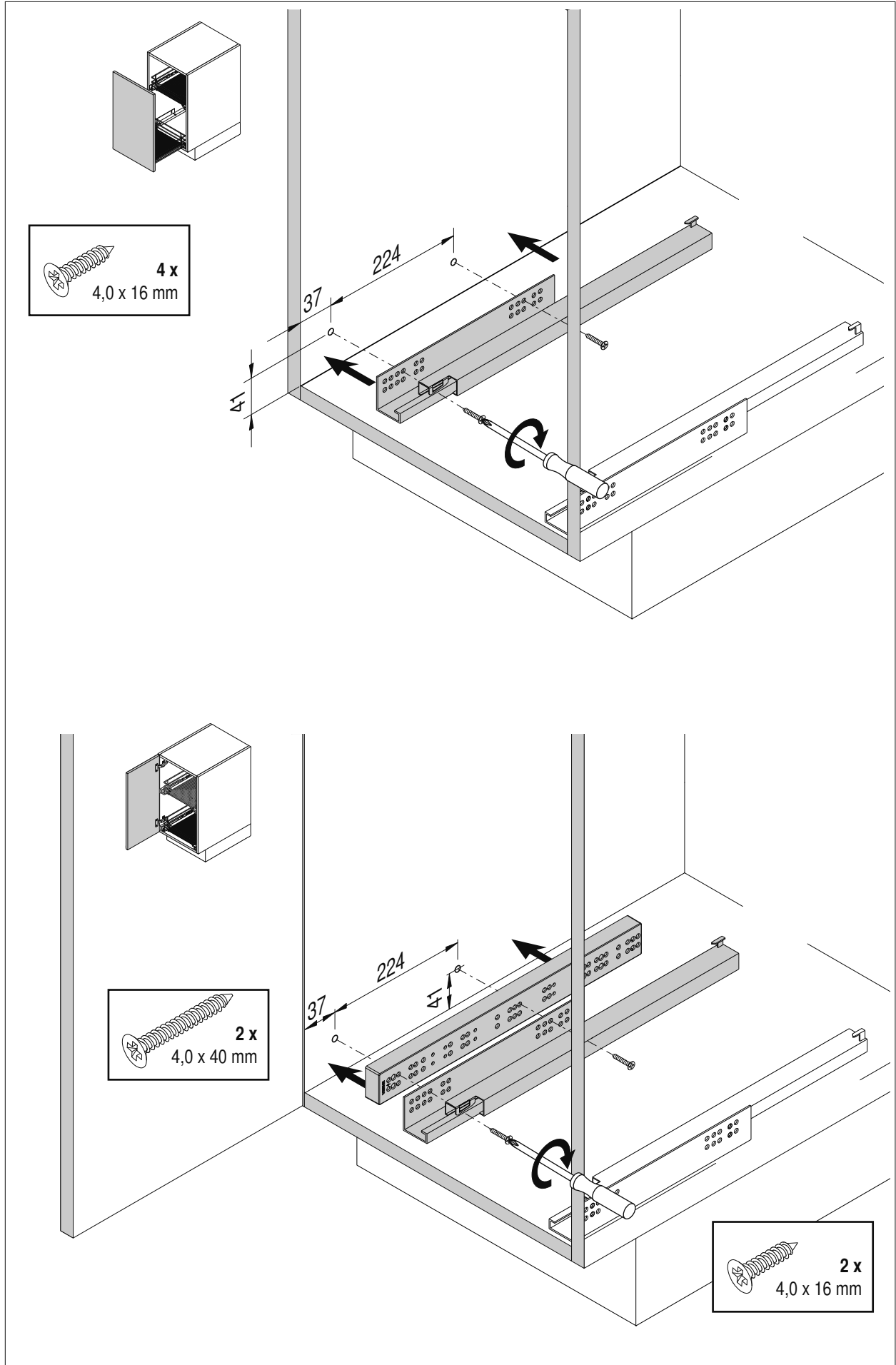


# VS SUB Basket

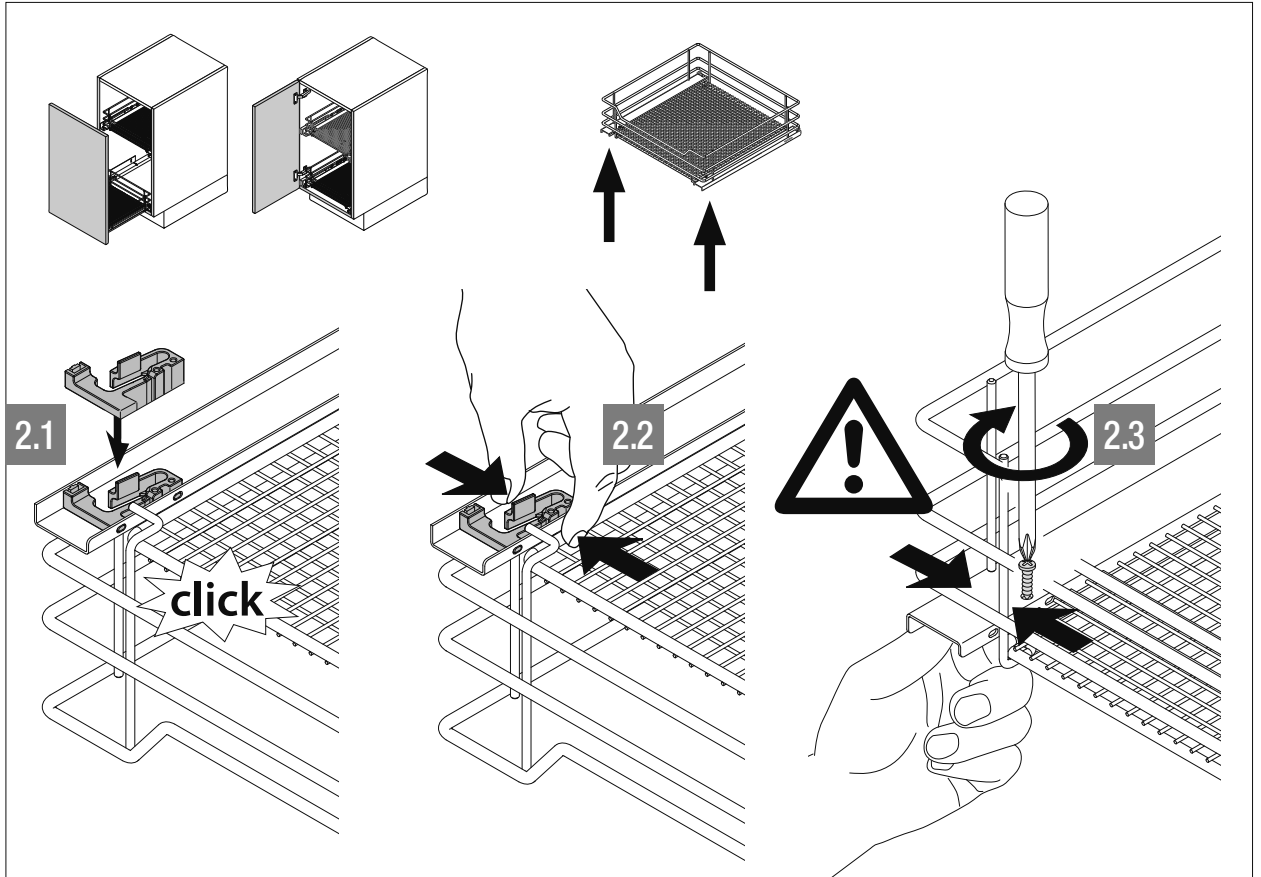


44007094\_02

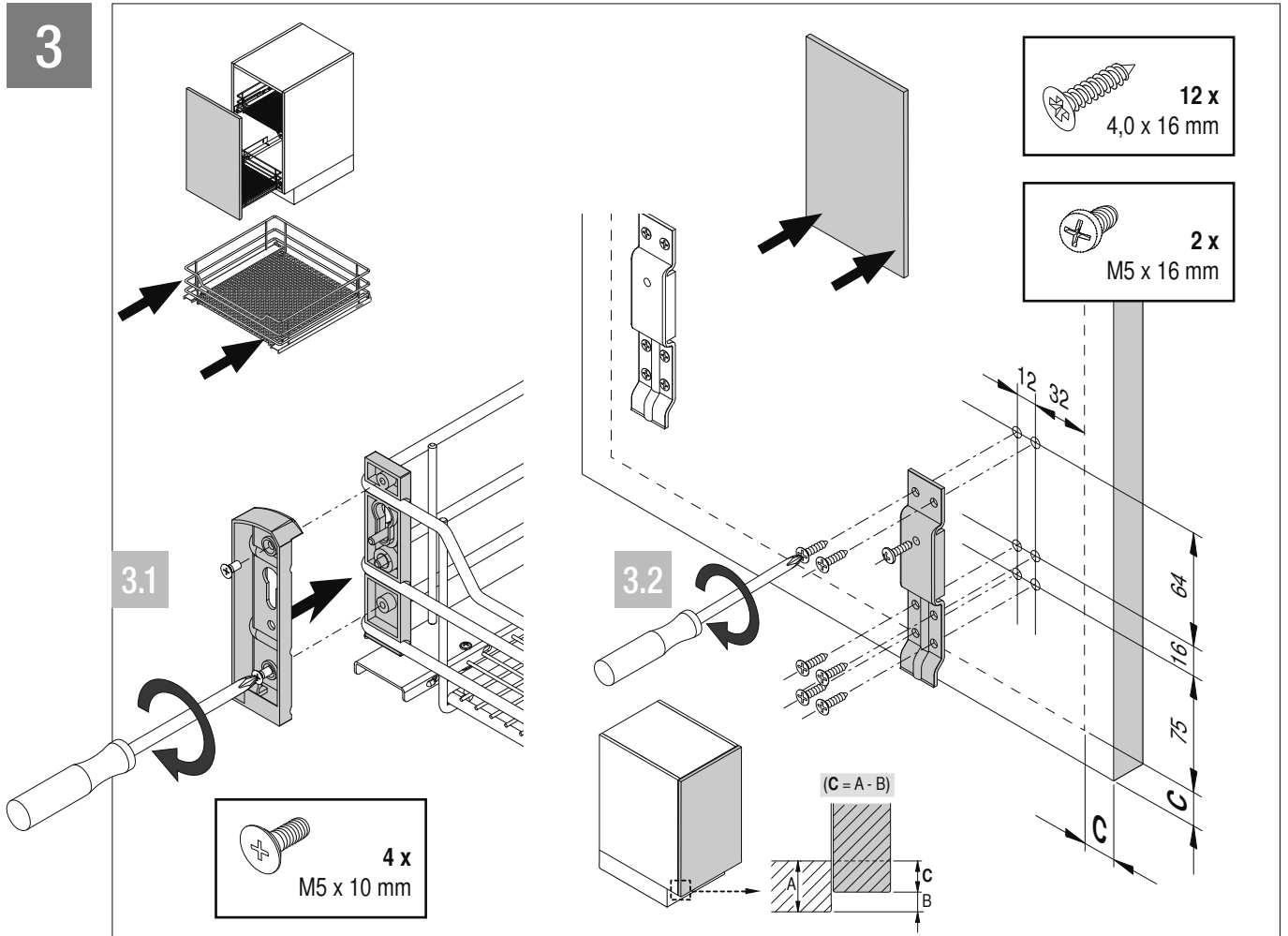
1



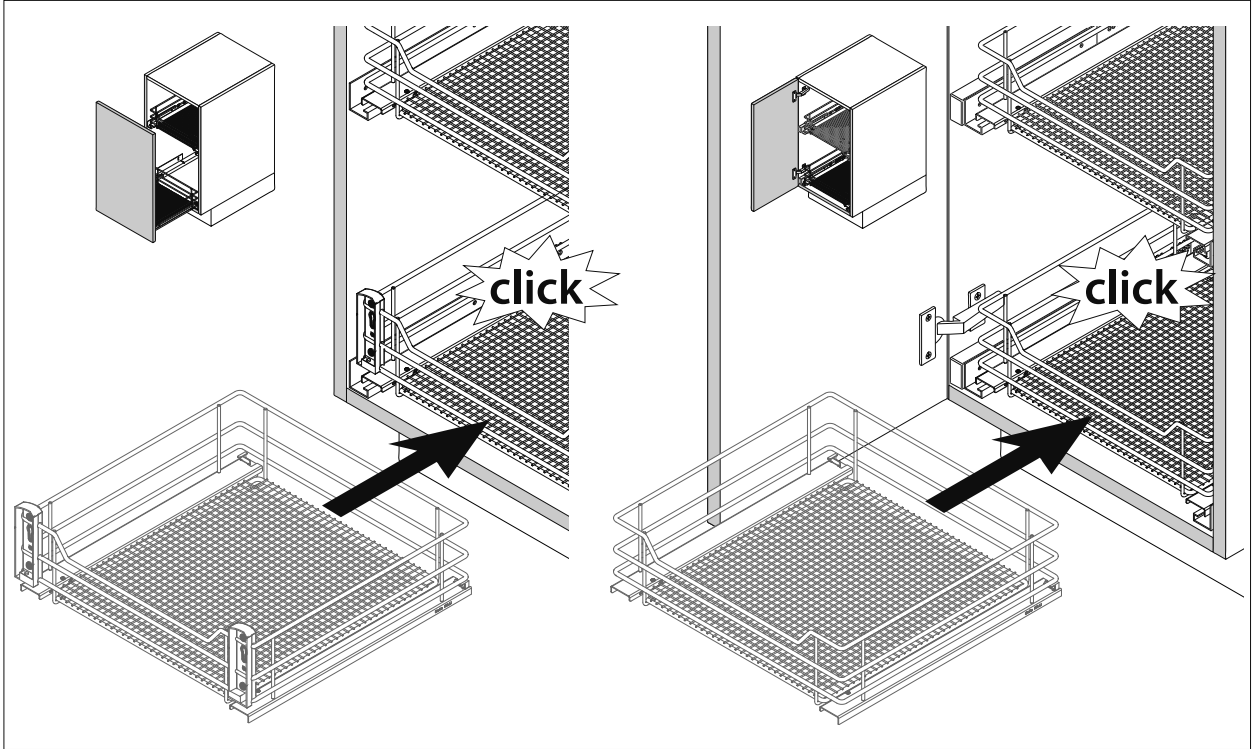
2



3



4



5

