

hansgrohe

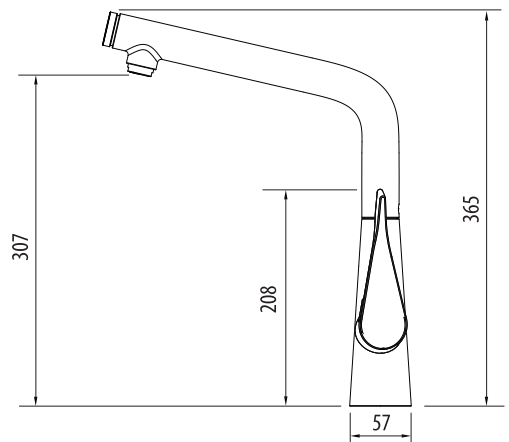
# Metris® Select 320

German made 

14883003

Right Angle Mixer

All dimensions in mm



## Specifications /

<b>WELs rating</b>	4 Stars, 7L per minute
<b>Temperature rating (min / max)</b>	1°C - 70°C
<b>Pressure rating (min / max)</b>	100 kPa - 500 kPa
<b>Finish</b>	Polished chrome
<b>Other available finishes</b>	Not available
<b>Materials</b>	Brass body (DR)
<b>Cartridge size</b>	35 mm
<b>Cartridge type</b>	M2 Ceramic cartridge
<b>Carton size</b>	555 x 310 x 80 mm
<b>Product weight</b>	4.1 kg
<b>Mixer height</b>	365 mm
<b>Water supply</b>	Mains
<b>Warranty</b>	15 year warranty (refer to <a href="http://oliveri.com.au">oliveri.com.au</a> for details)
<b>Maintenance and care instructions</b>	All surfaces should be cleaned with mild liquid detergent or soap and water. Do not use cream cleaners or citrus based cleaning products, as they are abrasive. Use of unsuitable cleaning agents may damage the surface. Any damage caused in this way will not be covered by warranty.

© Registered trademark of Oliveri Solutions. Under its policy of ongoing product development Oliveri Solutions may from time to time change product specification without notice. All dimensions given are approximate and should be checked prior to installation. See [oliveri.com.au](http://oliveri.com.au) for installation and warranty details.

Brought to you by 



For more information call 1300 13 7465 or visit [oliveri.com.au](http://oliveri.com.au)