

# TEK12 series

## Meeting Table Desk Frame

### General Features

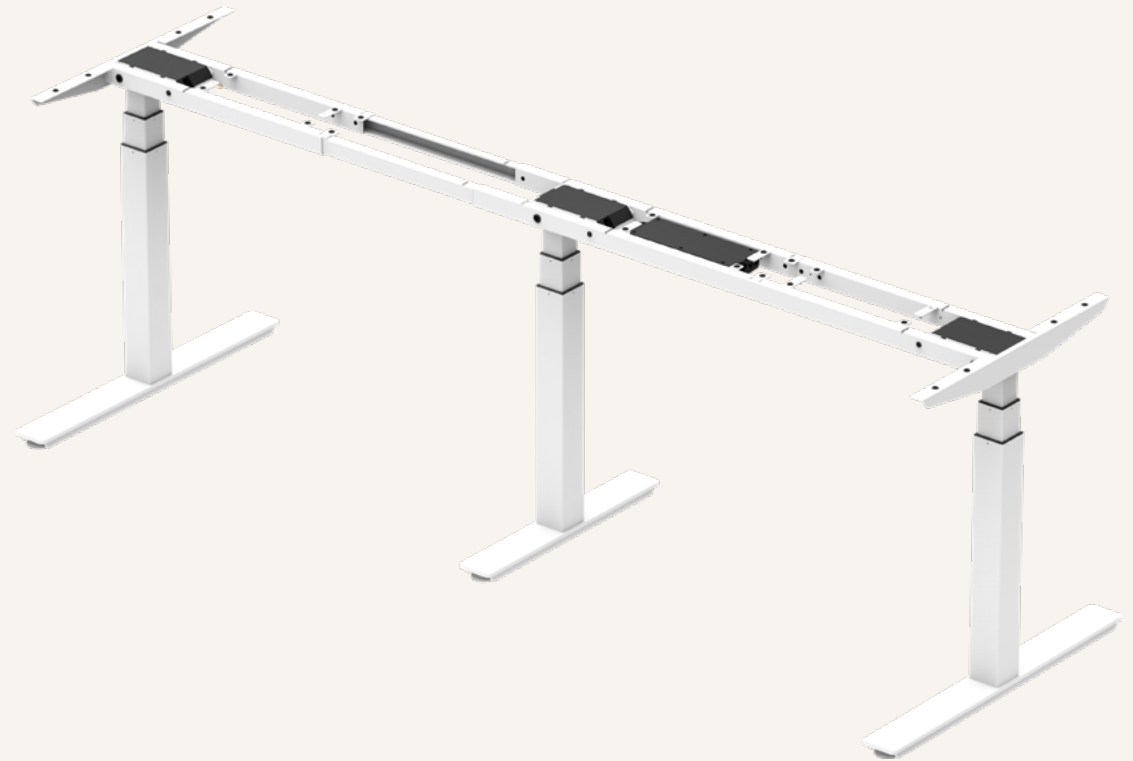
Max. load	120kg or 150kg*
Constant speed	3-Stage Column: 40mm/s; 2-Stage Column: 33mm/s
Weight of package	61.3kg*
Standby power	<0.1W
Accessories	USB Chargers (TFA1/TFA3), Anti-Collision Sensor (TCS1), Wireless Chargers (TWC)

Multiple column and control options

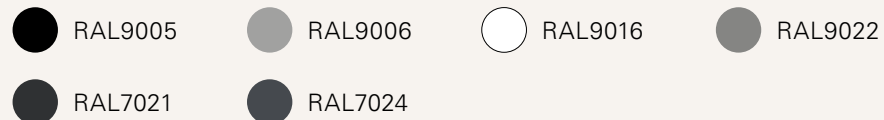
High strength and stability -Steel construction

Modular design – Easily change the TEK01 rectangular desk frame into the three leg conference table configuration

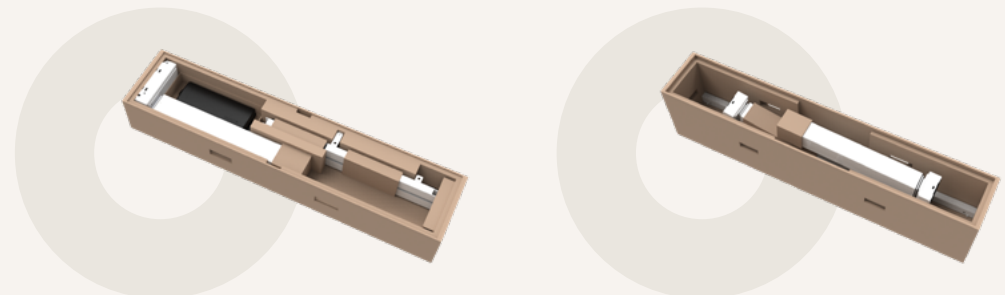
\*It varies upon the selection of components.



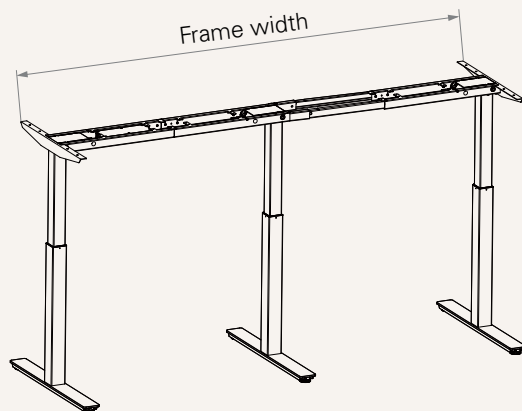
### Color (RAL Classic)



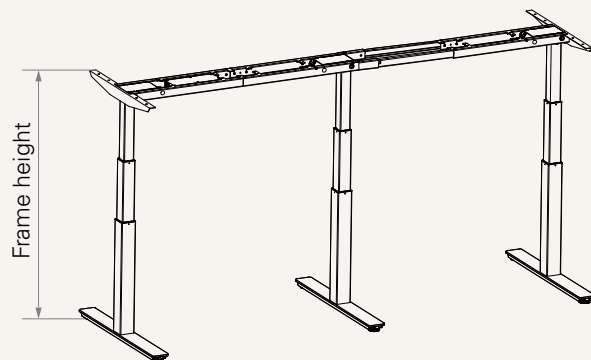
\*For more color options, please consult your sales representative.



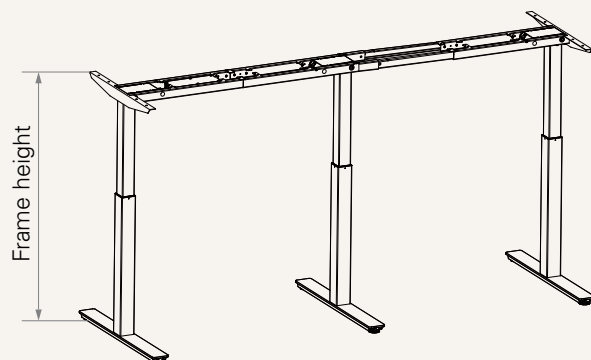
**Dimension**



- 3-Stage



- 2-Stage



**Frame & Work Surface**

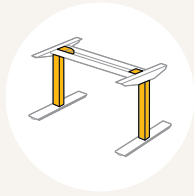
Frame dimensions (mm)	Recommended work surface dimensions (mm)	
Width (mm)	Width (mm)	Depth (mm)
2260~3640	2300~3500	700~1000

**Hight Range**

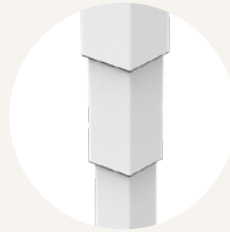
Column type	Frame height (mm)	Stroke (mm)
3-Stage	630~1280	650
3-Stage (M)	600~1260	660
3-Stage (S)	560~1220	660
2-Stage	680~1180	500

**TL Model**

• 3-Stage



TL4  
Square  
70 x 70 mm



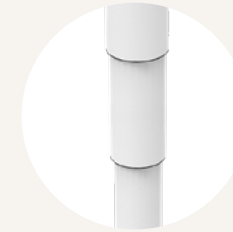
TL7  
Square  
70 x 70 mm



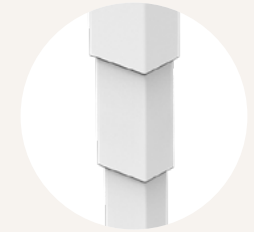
TL9  
Round  
ø70 mm



TL10  
Rectangular  
80 x 60 mm



TL11  
Round  
ø70 mm



TL12  
Rectangular  
80 x 60 mm

• 2-Stage



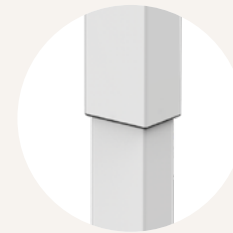
TL13  
Square  
70 x 70 mm



TL14  
Round  
ø70 mm



TL15  
Rectangular  
80 x 60 mm



TL26  
Rectangular  
80 x 60 mm



TL28  
Square  
70 x 70 mm

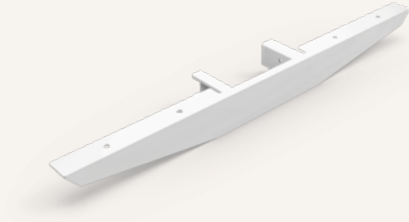


TL29  
Round  
ø70 mm

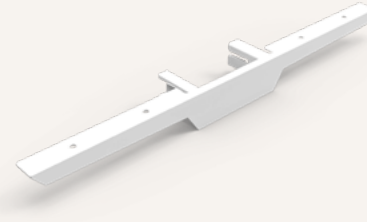
**End Pipe**



Style A  
(for fixed tabletop)



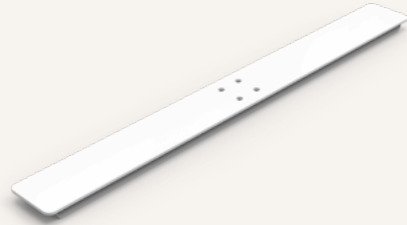
Style B  
(for fixed tabletop)



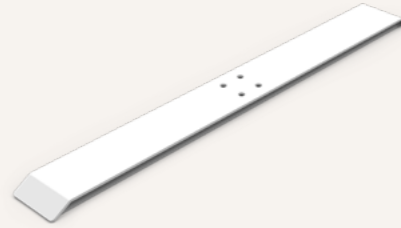
Foot



Style A



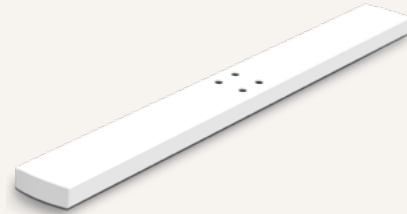
Style B



Style C



Style D



Foot (mm)



Code	Style	Thickness	Length (mm)
<b>0</b>	Without	N/A	N/A
<b>1</b>	A	8	750
<b>2</b>	A	5	750
<b>3</b>	B	5	750
<b>4</b>	B	8	750
<b>6</b>	C	Aluminum extrusion	750
<b>7</b>	D	Tube	750
<b>8</b>	A	5	550
<b>9</b>	A	5	680
<b>C</b>	A	8	550
<b>D</b>	C	Aluminum extrusion	550
<b>F</b>	B	5	550
<b>G</b>	B	5	680
<b>H</b>	B	8	550
<b>L</b>	D	Tube	550
<b>M</b>	A	5	600
<b>N</b>	A	8	680
<b>P</b>	C	Aluminum extrusion	600

Hand Control



1 = TH37



2 = TFH8



3 = TDH1



4 = TDH2



5 = TDH3



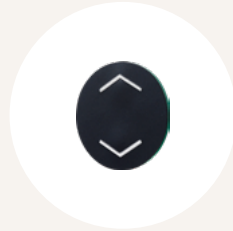
6 = TDH4



7 = TDH5



8 = TDH6



9 = TFH13



B = TH14



C = TFH21



D = TDH8P



E = TDH8



F = TDH8D



G = TDH11P



H = TDH12P



K = TDH16



L = TDH6PR



M = TDH5PR



N = TDH13P



P = TDH15



Q = TDH18P



R = TDH17

Accessories (optional)



TCS1

TCS1 is a collision sensor based on t-touch technology which does not require any additional hardware upgrades.



TFA1

A charger with 2 USB ports. Can be mounted on the table top.



TFA3

A charger with 2 USB ports. Can be mounted to the desk front side.



TWC

Designed for wireless charging of mobile devices. Can be mounted on the table top.



# TEK12 Ordering Key

## TEK12

Version: 20190529-B

<b>TL Model</b>	004 = TL4	009 = TL9	011 = TL11	013 = TL13	015 = TL15	028 = TL28
<a href="#">See page 3</a>	007 = TL7	010 = TL10	012 = TL12	014 = TL14	026 = TL26	029 = TL29

**Foot (mm)** [See page 5](#)

<b>Color</b>	1 = Black (RAL 9005)	3 = White (RAL 9016)	6 = Matte Black (RAL7021)
	2 = Grey (RAL 9006)	4 = Special grey (RAL 9022)	7 = Graphite grey (RAL7024)

<b>TC Model</b>	0 = Without	1 = TC16	2 = TC16P
-----------------	-------------	----------	-----------

**Hand Control** [See page 7](#)

<b>End Pipe (mm)</b>	1 = Style A, fixation holes, E1 & E2: 600, Standard	4 = Style B, fixation holes, E1 & E2: 500
<a href="#">See page 4</a>	2 = Style A, fixation holes, E1 & E2: 500	5 = Style A, fixation holes, E1&E2: 550
	3 = Style B, fixation holes, E1 & E2: 600	

<b>Desk Frame (mm)</b>	1 = With Normal desk frame, W: 2260-3460
------------------------	--

<b>Assembly Manual</b>	0 = Without	3 = Chinese, No logo, Black/White printing
	C = Chinese, TiMOTION logo, Black/White printing	4 = English, No logo, Black/White printing
	E = English, TiMOTION logo, Black/White printing	5 = Chinese, No logo, colour printing
	1 = Chinese, TiMOTION logo, colour printing	6 = English, No logo, colour printing
	2 = English, TiMOTION logo, colour printing	

# MP-TEK12 Ordering Key

## MP-TEK12

Version: 20190529-B

<b>TL Model</b>	004 = TL4	009 = TL9	011 = TL11	013 = TL13	015 = TL15	028 = TL28
<a href="#">See page 3</a>	007 = TL7	010 = TL10	012 = TL12	014 = TL14	026 = TL26	029 = TL29

**Foot F2 (mm)** [See page 5](#)

<b>Color</b>	1 = Black (RAL 9005)	3 = White (RAL 9016)	6 = Matte Black (RAL7021)
	2 = Grey (RAL 9006)	4 = Special grey (RAL 9022)	7 = Graphite grey (RAL7024)

<b>TC Model</b>	0 = Without	1 = TC16	2 = TC16P
-----------------	-------------	----------	-----------

**Hand Control** [See page 7](#)

**Desk Frame (mm)** 1 = With Normal desk frame, W: 2260-3460

<b>Assembly Manual</b>	0 = Without	3 = Chinese, No logo, Black/White printing
	C = Chinese, TiMOTION logo, Black/White printing	4 = English, No logo, Black/White printing
	E = English, TiMOTION logo, Black/White printing	5 = Chinese, No logo, colour printing
	1 = Chinese, TiMOTION logo, colour printing	6 = English, No logo, colour printing
	2 = English, TiMOTION logo, colour printing	

## Terms of Use

The user is responsible for determining the suitability of TiMOTION products for a specific application. TiMOTION products are subject to change without prior notice.