



Instructions for use and installation

Cooker Hood

FTC 922 XS AU

INDEX

EN

RECOMMENDATIONS AND SUGGESTIONS	3
CHARACTERISTICS	6
INSTALLATION.....	7
USE	9
MAINTENANCE	10

SAFETY INFORMATION

i For your safety and correct operation of the appliance, read this manual carefully before installation and use. Always keep these instructions with the appliance even if you move or sell it. Users must fully know the operation and safety features of the appliance.

⚠ The wire connection has to be done by specialized technician.

- The manufacturer will not be held liable for any damages resulting from incorrect or improper installation.
- The minimum safety distance between the cooker top and the extractor hood is 650 mm (some models can be installed at a lower height, please refer to the paragraphs on working dimensions and installation).
- If the instructions for installation of the gas hob specify a greater distance, this must be respected.
- Check that the mains voltage corresponds to that indicated on the rating plate fixed to the inside of the hood.
- Means for disconnection must be incorporated in the fixed wiring in accordance with the wiring rules.
- For Class I appliances, check that the domestic power supply guarantees adequate earthing.
- Connect the extractor to the exhaust flue through a pipe of minimum diameter 120 mm. The route of the flue must be as short as possible.
- Regulations concerning the discharge of air have to be fulfilled.
- Do not connect the extractor hood to exhaust ducts carrying combustion fumes (boilers, fireplaces, etc.).

- If the extractor is used in conjunction with non-electrical appliances (e.g. gas burning appliances), a sufficient degree of aeration must be guaranteed in the room in order to prevent the backflow of exhaust gas. When the cooker hood is used in conjunction with appliances supplied with energy other than electric, the negative pressure in the room must not exceed 0,04 mbar to prevent fumes being drawn back into the room by the cooker hood.
- The air must not be discharged into a flue that is used for exhausting fumes from appliances burning gas or other fuels.
- If the supply cord is damaged, it must be replaced from the manufacturer or its service agent.
- Connect the plug to a socket complying with current regulations, located in an accessible place.
- With regards to the technical and safety measures to be adopted for fume discharging it is important to closely follow the regulations provided by the local authorities.


⚠ WARNING: Before installing the Hood, remove the protective films.

- Use only screws and small parts supplied with the hood.


⚠ WARNING: Failure to install the screws or fixing device in accordance with these instructions may result in electrical hazards.

- Allow disconnection of the appliance from the supply after installation. The disconnection may be achieved by having the plug accessible or by incorporating a switch in the fixed wiring in accordance with the wiring rules.
- Do not look directly at the light through optical devices (binoculars, magnifying glasses...).
- Do not flambè under the range hood; risk of fire.
- This appliance can be used by children aged from 8 years and above and persons with reduced physical, sensory or mental capabilities or lack of experience and knowledge if they have been given supervision or instruction concerning use of the appliance in a safe way and understand the hazards involved. Children shall not play with the appliance. Cleaning and user maintenance shall not be made by children without supervision.

- This appliance is not intended for use by persons (including children) with reduced physical, sensory or mental capabilities, or lack of experience and knowledge, unless they have been given supervision or instruction concerning use of the appliance by a person responsible for their safety.
- Children should be supervised to ensure that they do not play with the appliance.

 Accessible parts may become hot when used with cooking appliances.

- Clean and/or replace the Filters after the specified time period (Fire hazard). See paragraph Care and Cleaning.
- There shall be adequate ventilation of the room when the range hood is used at the same time as appliances burning gas or other fuels (not applicable to appliances that only discharge the air back into the room).

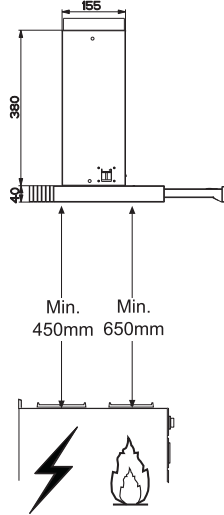
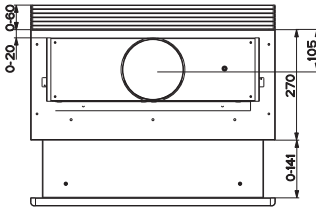
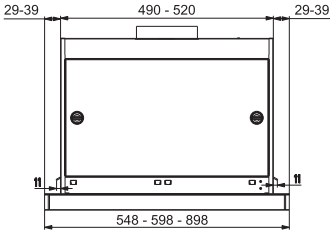
- The symbol  on the product or on its packaging indicates that this product may not be treated as household waste. Instead it shall be handed over to the applicable collection point for the recycling of electrical and electronic equipment. By ensuring this product is disposed of correctly, you will help prevent potential negative consequences for the environment and human health, which could otherwise be caused by inappropriate waste handling of this product. For more detailed information about recycling of this product, please contact your local city office, your household waste disposal service or the shop where you purchased the product.



“In case of replacement with halogen lamp use only self-shielded tungsten halogen lamps or self-shielded metal halide lamps.”

CHARACTERISTICS

Dimensions

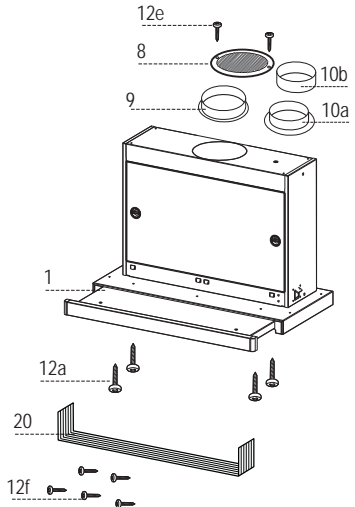


Components

Ref.	Q.ty	Product Components
1	1	Hood Body, complete with: Controls, Light, Blower, Filters
8	1	Directional Air Outlet grille
9	1	Flange \varnothing 150 mm
10a	1	Flange \varnothing 120 mm
10b	1	Adapting ring \varnothing 120-125 mm (optional)
20	1	Closing element

Ref.	Q.ty	Installation Components
12a	4	Screws 3,5 x 16
12e	2	Screws 2,9 x 12,7
12f	5	Screws 2,9 x 9,5

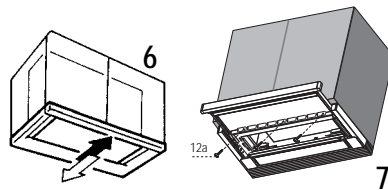
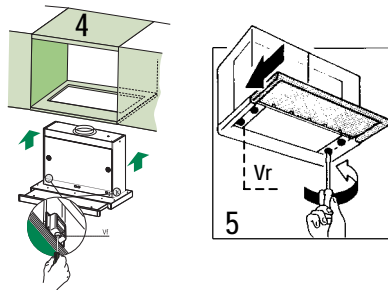
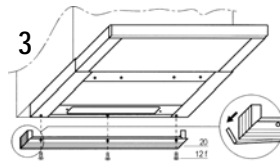
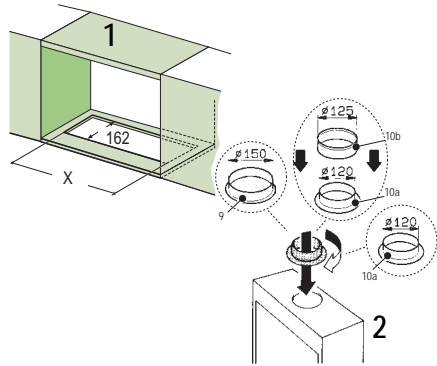
Q.ty	Documentation
1	Instruction Manual



INSTALLATION

Drilling the Support surface and Fitting the Hood

- The Hood can be fitted directly on the lower surface of the wall furniture units (650 mm min. above the Cooker Top) using the snap-on Side Supports.
- Make an opening on the lower surface inside the furniture unit, as indicated (fig.1); the X-measure has to be 523 mm (60 and 90 cm hoods) and 493 mm in case of 55 cm hood (available for the Swiss market).
- Choose the correct flange measure basing on the air outlet diameter and insert it to the upper air outlet opening. (fig.2)
- Screw the closing profile **20** onto the rear part of the hood, using the screws **12f** (2.9 x 9.5) provided. (fig.3)
- Open the sliding suction panel.
- Remove the metal grease filters one by one after having disconnected the relative fastening elements.
- Close the sliding suction panel again.
- Insert the Hood until the snap-on side supports click into place. (fig.4)
- Open the sliding suction panel.
- Lock in position by tightening the screws **Vr** from underneath the Hood. (fig.4)
- If necessary, adjust the whole filter holder unit and proceed as follows:
 - Loosen the four adjustment screws **Vr** and close the sliding panel again. (fig.5)
 - Move the entire filter holder unit until it is properly aligned with the wall unit. (fig.6)
 - Keeping the hood canopy still, remove the sliding panel and lock the adjustment screws again. (fig.5)
- The hood can now be fastened to the wall unit using the four screws **12a** (3.5 x 16) provided. (fig.7)
- Replace the metal grease filters.
- Close the sliding suction panel again.

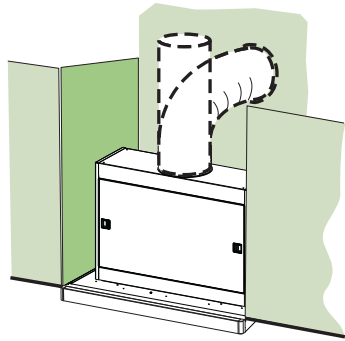


Connections

DUCTING VERSION AIR EXHAUST SYSTEM

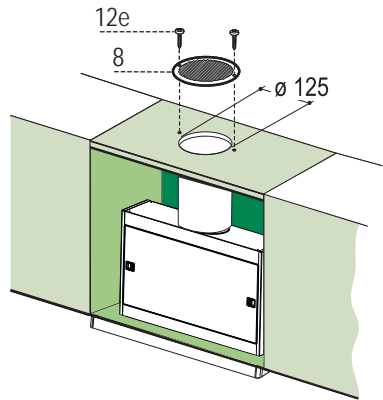
When installing the hood in ducting version, a rigid or a flexible pipe with the diameter corresponding to the flange diameter is used in order to connect the hood to the air outlet piping.

- Fix the pipe with an adequate quantity of pipe clamps (not supplied).
- Remove possible charcoal filters.



RECIRCULATION VERSION AIR OUTLET

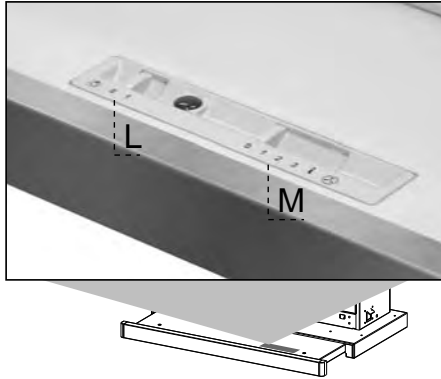
- Cut a hole \varnothing 125 mm in any shelf that may be positioned over the hood.
- Insert the flange **10a** on the hood body outlet.
- Connect the flange to the outlet on the shelf over the hood using a flexible or rigid pipe \varnothing 120 mm.
- Fix the pipe in position using sufficient pipe clamps (not supplied).
- Fix the directional grille **8** on the recirculation air outlet using the 2 screws **12e** (2,9 x 12,7) provided.
- Ensure that the activated charcoal filters have been inserted.



ELECTRICAL CONNECTION

- Connect the hood to the mains through a two-pole switch having a contact gap of at least 3 mm..

USE



By pulling out the sliding panel it is possible to automatically activate all the hood functions. By simply closing the sliding panel all the functions are switched off.

SWITCH	FUNCTIONS
---------------	------------------

L Light	Switches the lighting system on and off
----------------	---

M Motor	Switches the extractor motor on and off
----------------	---

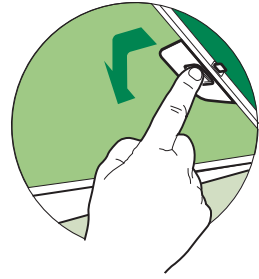
- | | |
|--|--|
| | <ol style="list-style-type: none">1. Low speed, used for a continuous and silent air change in the presence of light cooking vapour.2. Medium speed, suitable for most operating conditions, thanks to an optimum relation between hood performance and noise.3. Maximum speed, suitable when the highest cooking vapour emission has to be eliminated for longer periods. |
| | <ol style="list-style-type: none">i. Intensive speed, suitable for the strongest cooking vapours and odours. |

MAINTENANCE

Grease filters

CLEANING METAL CASSETTE GREASE FILTERS

- The filters must be cleaned every 2 months, or more frequently in case of particularly heavy use of the hood. Filters can be washed in a dishwasher.
- Pull out the sliding suction panel.
- Remove the filters one by one, after having disconnected the relative fastening elements.
- Wash the filters, taking care not to bend them. Let them get dry before refitting them. (The colour of the filter surface may change throughout the time but this has no influence to the filter efficiency).
- When refitting the filters, make sure that the handle is visible on the outside.
- Close the sliding suction panel.

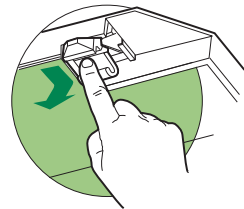


Charcoal filter (Recycling version)

REPLACING CHARCOAL FILTERS

Warning: Turn the lights off and wait until the lamps cool down before you change the odour filter.

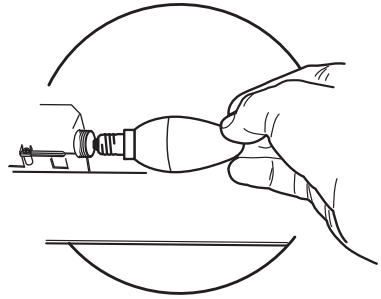
- These filters are not washable and cannot be regenerated, and must be replaced approximately every four months or more frequently by particularly heavy use.
- Pull out the sliding suction panel.
- Remove the grease filters.
- Remove the saturated carbon filter by releasing the fixing hooks
- Fit the new filter by hooking it into its seating.
- Replace the grease filters.
- Close the sliding suction panel.





Lighting

LIGHT REPLACEMENT

- Remove the metal terminals fixing the light cover.
- Slide the light cover to the right until the left hand is free. Lower it slightly and slide it to the left to free it completely.
- Unscrew the bulbs and replace them with new ones having the same characteristics.
- Replace the lighting support in reverse order.



Lamp	Power (W)	Socket	Voltage (V)	Dimension (mm)	ILCOS Code
	4	E14	220-240	107 x 37	DRBB/F-4-220-240-E14-35/100
	5	GU10	230	52 x 50	DRPAR-5/840-220/240-GU10-35/36 DRPAR-5/830-220/240-GU10-35/36



Franke S.p.a.
Via Pignolini,2
37019 Peschiera del Garda (VR)
www.franke.it

991.0593.136_ver1 - 1907712
D00005980_00