

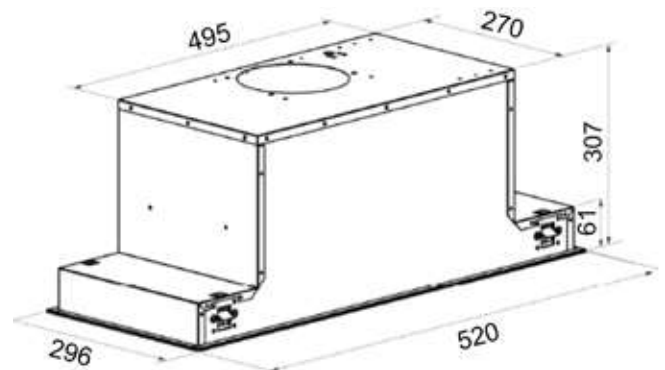
52CM BLACK GLASS UNDERCUPBOARD RANGEHOOD

FCUH52BAU



PRODUCT INFORMATION

Overall Dimensions (mm)	520(W) x 307(H) x 296(D)
Cut-Out Dimensions (mm)	500(W) x 275(D)
Power	220-240V 50Hz, 280W max
Number of Fan Speeds	3
Control Interface	Touch Controls
Lighting	LED Light Panel
Air Outlet	ø150mm
Filter	1 x Aluminum Mesh Filters (Dishwasher Safe)
Air Flow	600m ³ /h
Finish	Tempered Black Glass Trim
Warranty	2 Years



PLEASE NOTE: Technical and product specifications may change; therefore, cut-outs for appliances should only be by physical product measurements. The above information is indicative only.

LAST UPDATED: 09 JUNE 2022