
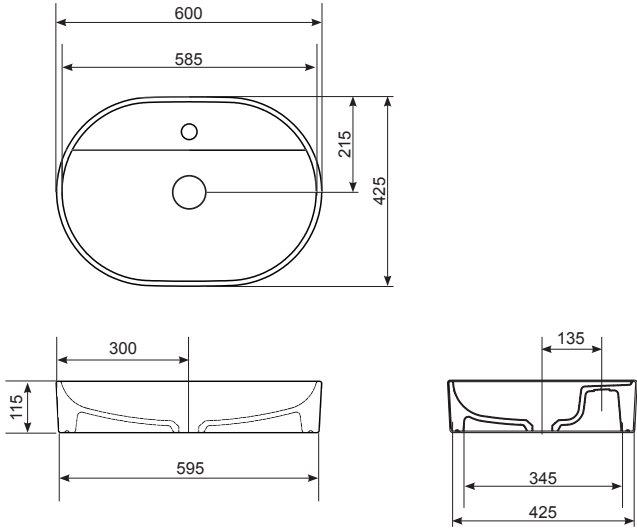




GRACE OVAL COUNTER TOP BASIN 1 TAP HOLE

Product Image	Technical Specification
	 <p>Technical drawings showing dimensions for the Grace Oval Counter Top Basin:</p> <ul style="list-style-type: none"> Top View: Overall width 600mm, inner width 585mm, depth 425mm, and a central hole diameter of 215mm. Side View: Basin height 115mm, width 595mm, and a central cutout width of 300mm. Cross-section View: Basin depth 425mm, cutout width 345mm, and a side cutout width of 135mm.

Description	Additional Information
<p>Grace Oval Counter Top Basin with tap landing</p> <p>NO19MUL01 1 Tap Hole</p>	<ul style="list-style-type: none"> • OD 600mm x 425mm • 12 Litre Water Capacity • Recommended Waste 94240

