

# Twin Bolt Lock

## Installation Instructions



ASSA ABLOY

Experience a safer  
and more open world

### 1 ) PREPARATION OF THE STILE

Routing required for use with bifold handles or French door lever furniture.

#### BI FOLD APPLICATION

**LOCKING**      **NON-LOCKING**

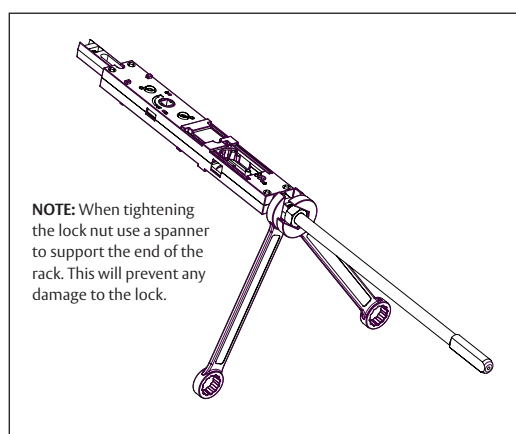
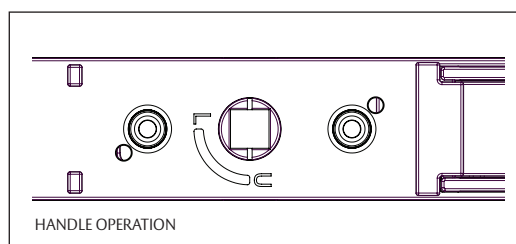
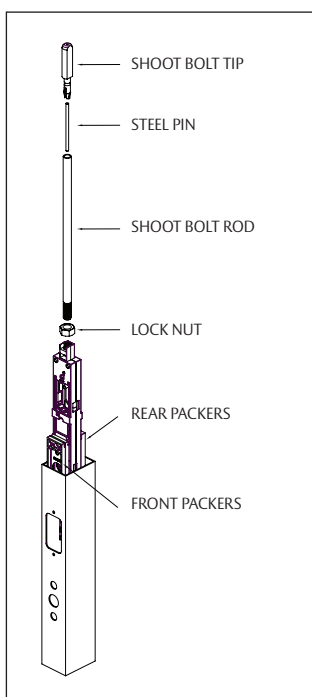
Wall Thickness Of Stile	Packer Combo
1.0 ~ 1.4	3.8 + 6.25 + 6.25
1.5 ~ 2.0	6.25 + 9.5
2.1 ~ 3.2	14.8
3.3 ~ 4.0	3.8 + 9.5

#### FRENCH DOOR APPLICATION

**LOCKING**      **NON-LOCKING**

Wall Thickness of Stile	Packer Combo
1.0 ~ 1.3	5.0 + 6.25
1.4 ~ 2.5	3.8 + 6.25
2.6 ~ 4.0	3.8 + 5.0

### 2 ) FITTING THE LOCK INTO THE STILE



Cut multipoint rods, allowing for the following:

- Shoot bolt throw of 18mm.
- Clearance between door & frame
- Multipoint rod threaded 14mm into lock

Press the D tip into the end of the multi point rod. If using plastic rod tip make sure the hardened steel pin is installed. Crimp the rods onto the D tip to ensure a solid fit.

Screw the rods into the lock, tightening the lock nuts against the throw rods.

Confirm correct lock orientation and handle operation direction using marks on lock body. Select the front and rear packers and clip onto the lock body. Tables above indicate recommended front packer combination for standard locking cylinder based on application.

Mount the lock assembly into the door stile checking the lock function, D-tip protrusion, and D tip orientation.

# Twin Bolt Lock

## Installation Instructions

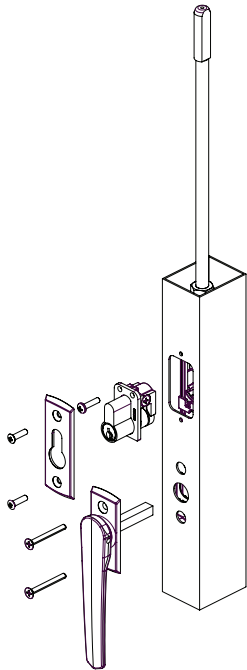


ASSA ABLOY

Experience a safer  
and more open world

### 3 ) HANDLE INSTALLATION

#### BI FOLD APPLICATION



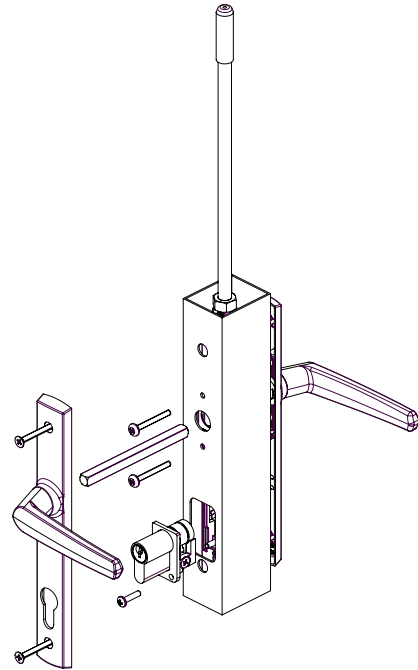
Fit the bi-fold handle to the stile checking the handle lever is in the correct orientation for the operation of the lock. Fix the bi-fold handle to the lock using the screws provided.

For locking applications install cylinder as indicated in Step 4 below.

Install cylinder escutcheon to face of stile with the screws provided.

**NOTE:** The 8mm square drive bar of the handle must protrude through the entire lock for proper performance.

#### FRENCH DOOR APPLICATION



Fix the lock to the profile using the pan head screws provided.

For locking applications install cylinder as indicated in Step 4 below.

Fit the spindle and door furniture to the door checking the handle lever is in the correct orientation for the operation of the lock.

Fix the door furniture using the screws provided.

### 4 ) INSTALL CYLINDER (AS REQUIRED)

Insert the euro cylinder into the cylinder cradle. Use the M5 machine screw provided to fix the cylinder into the cylinder cradle.

Fit the cylinder assembly into the lock through the cut out in the stile as indicated in Step 3 above. Fix the cylinder assembly into the lock using the screw provided.

**NOTE:** Do not over-tighten the screw.

