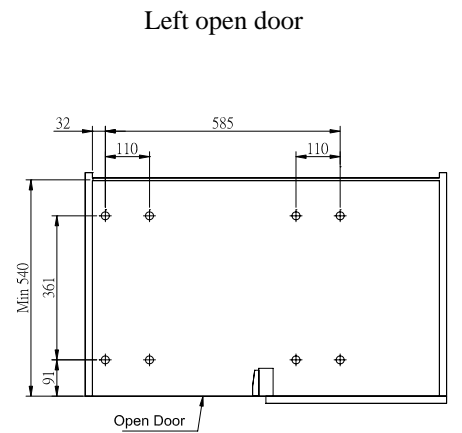


INSTALLATION INSTRUCTION

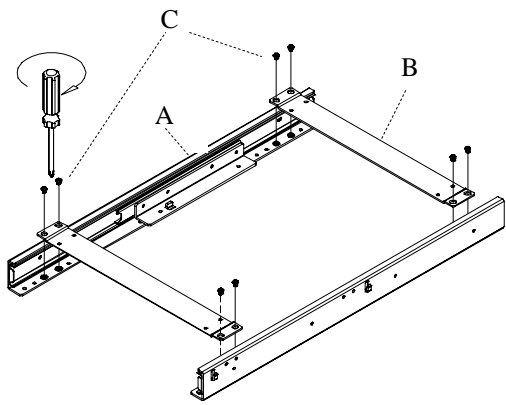
For B04640SC (Left open door)

| Bottom slide | Q'ty | Slide connecter | Q'ty | Screw | Q'ty | L frame | Q'ty | Soft-close kit | Q'ty |
|--------------------------|-------|--------------------|------|----------------------|-------|------------|-------|----------------|------|
| A | 1pair | B | 2pcs | C | 10pcs | D | 1pc | E | 1pc |
| Screw for soft-close kit | Q'ty | Big pull-out frame | Q'ty | Small pull out frame | Q'ty | Screw | Q'ty | Handle | Q'ty |
| F | 2pcs | G | 1pc | H | 1pc | I | 16pcs | J | 2set |
| Screw for L frame | Q'ty | Pull-out guarder | Q'ty | Door bracket | Q'ty | Big basket | Q'ty | Small basket | Q'ty |
| K | 4pcs | L | 1pc | M | 2pcs | N | 2pcs | O | 2pcs |

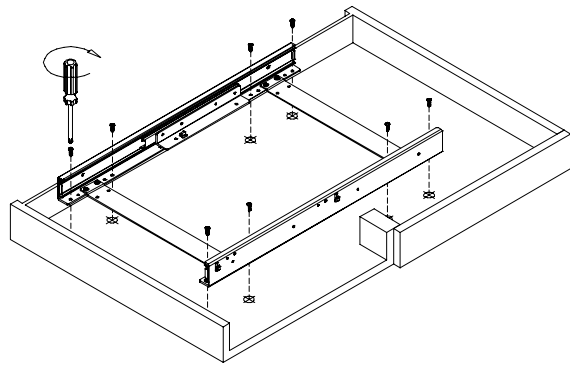
Step 1: Mark screw holes position on bottom board of cabinet.



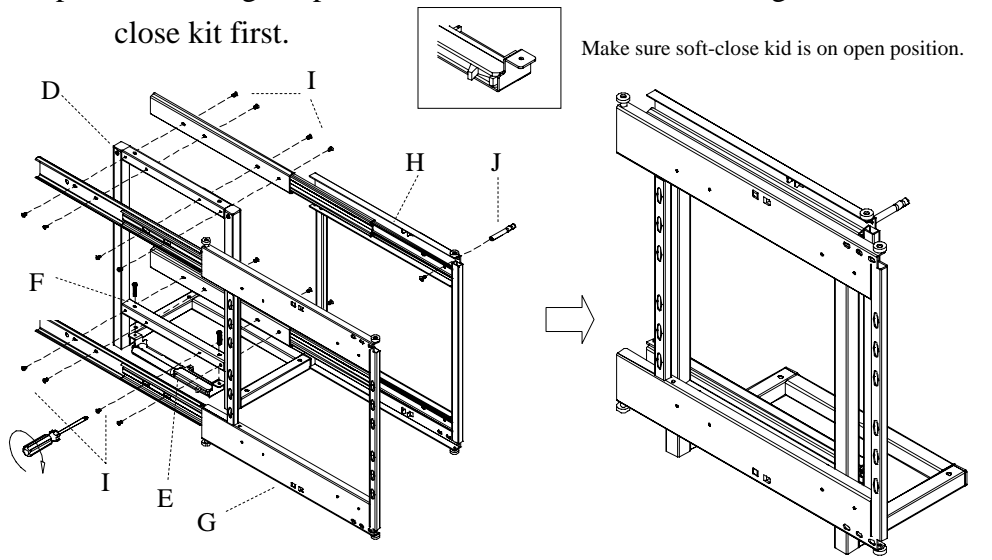
Step 2: Connect two bottom slides by bracket "B" to become bottom slide set.



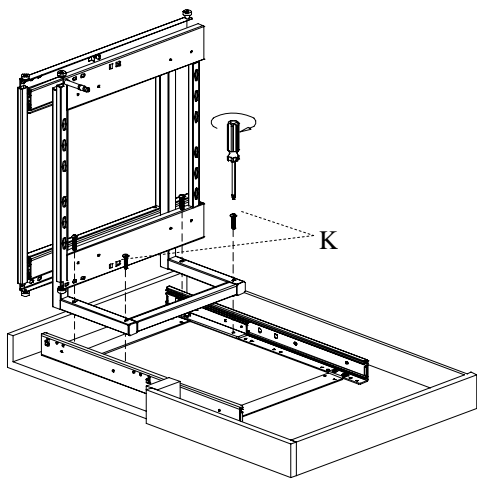
Step 3: Screw bottom slide set on bottom board of cabinet.



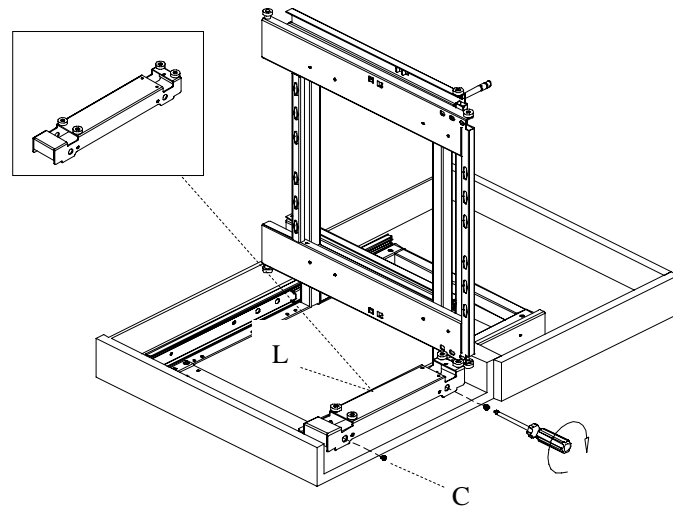
Step 4: Assembling the pull-out frame with L frame. Starting from soft-close kit first.



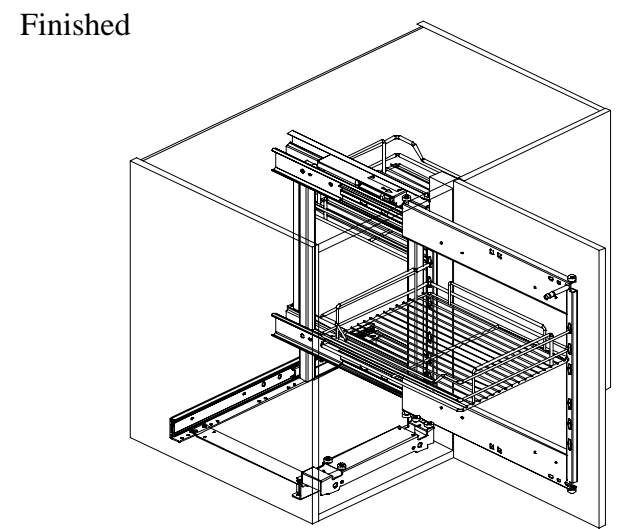
Step 5: Screw main frame together with bottom slide set by 4 screws "K".



Step 6: Move main frame to right and screw pull-out guarder on bottom slide set.



Step 7A: Apply to hinge door. Finished main frame for left open door



Step 7B: Apply to panel door

