

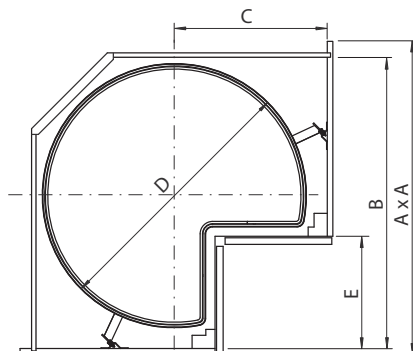
04 / 2017



VS COR Wheel Pro



Cabinet dimensions



A x A	B	C	D	E
900 x 900	> 815	440	720	< 322
900 x 900	> 835	440	760	< 335

Measurements in mm

Cabinet dimensions

Widths 900 x 900 mm
 Side depth min. 490 mm
 Internal height 620 mm

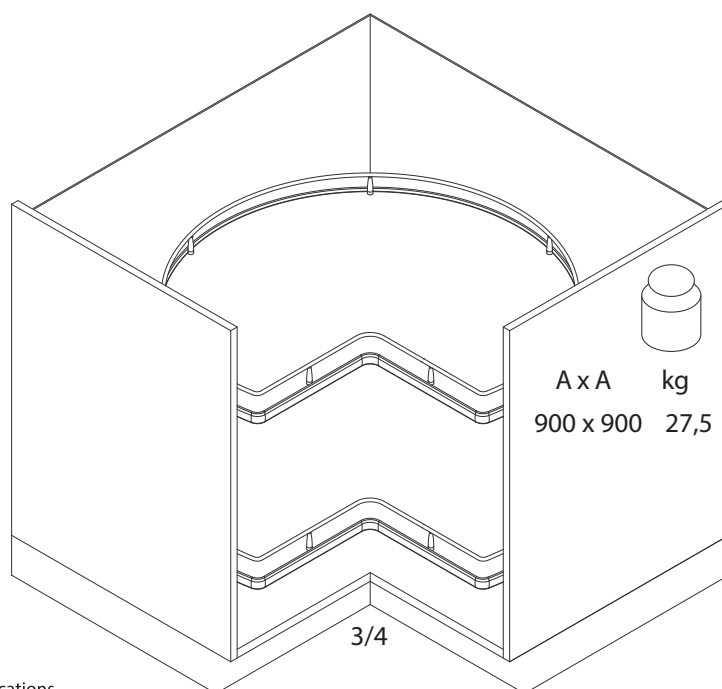
Shelf variants: 3/4

Rail: Rail with wire railing and edge in chrome, RAL 9006

Load capacity 27,5 kg per shelf
 (600 x 600 and 650 x 650 mm: 12 kg)

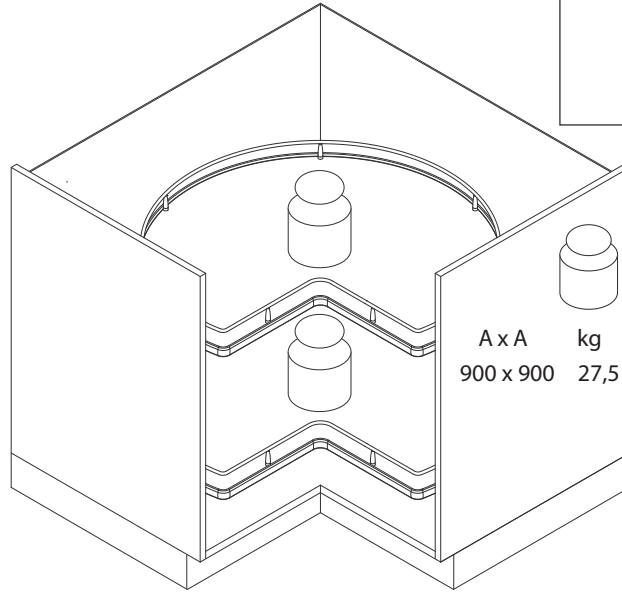
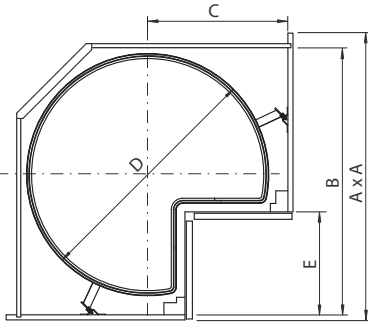
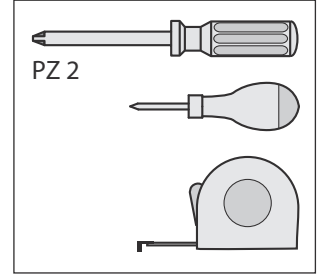
Specification

Fitting: RAL 9010
 for base, high and wall units





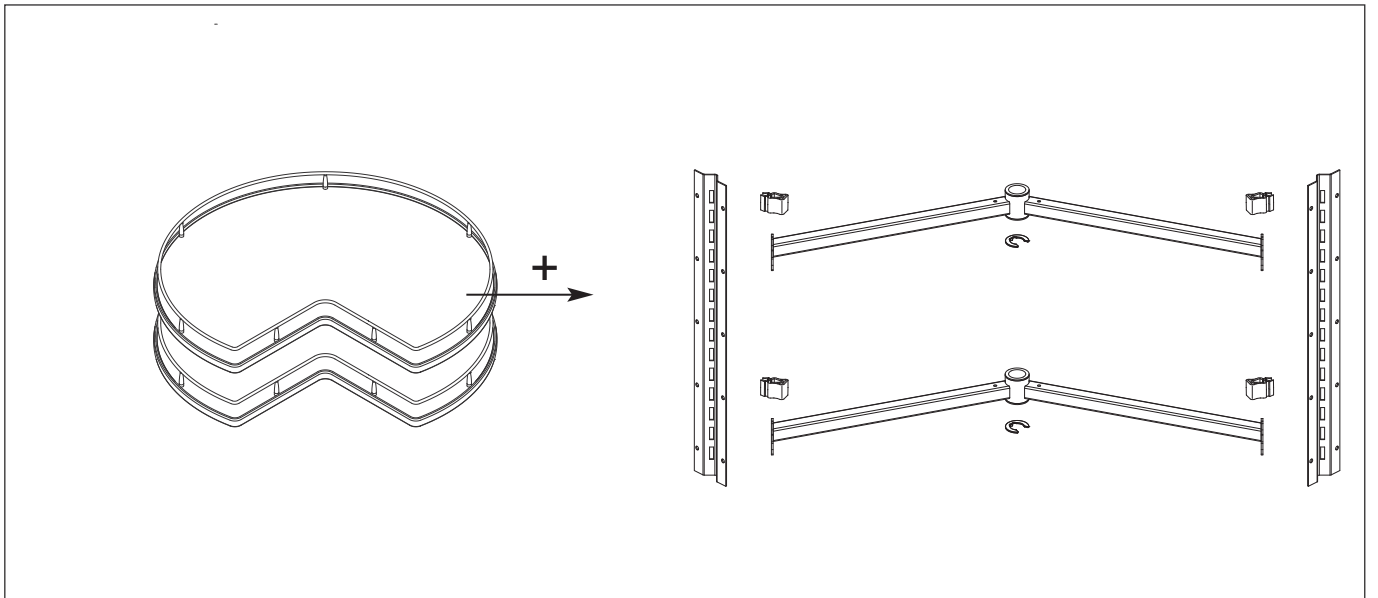
VS COR Wheel Pro



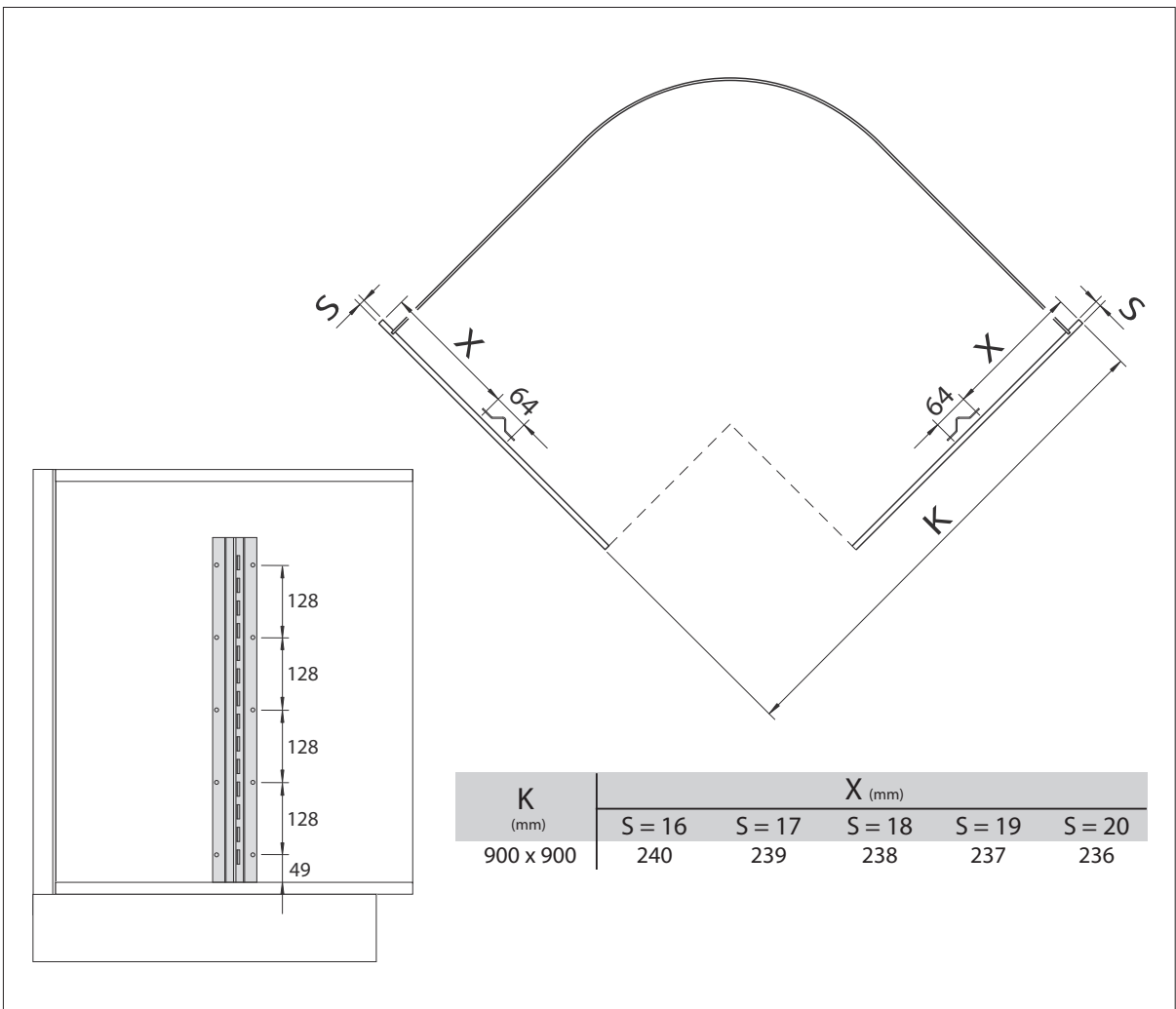
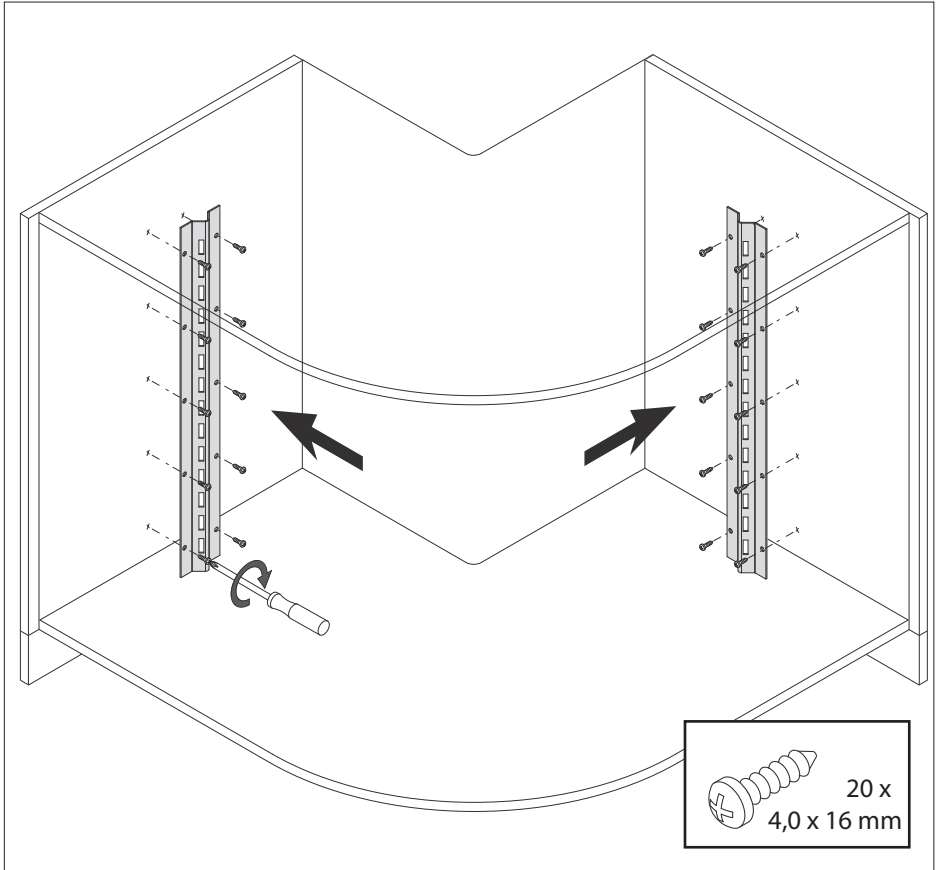
A x A kg
900 x 900 27,5



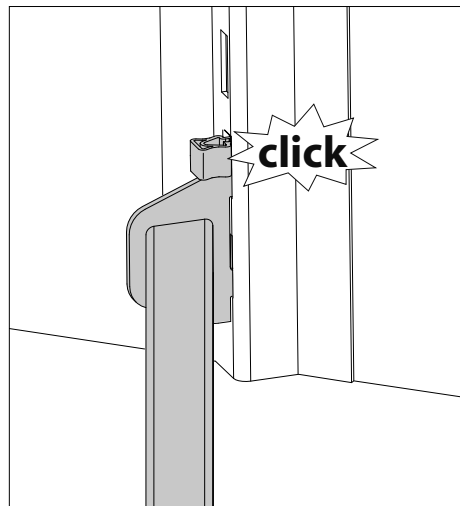
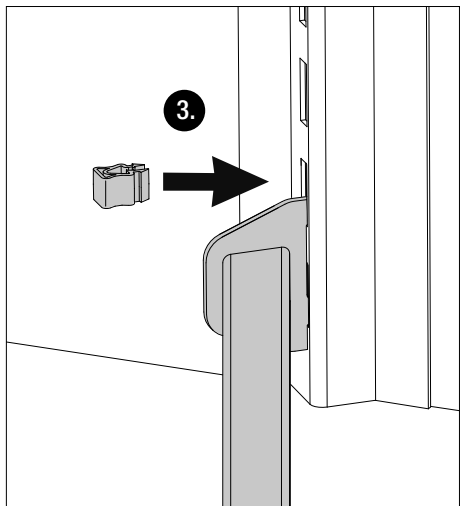
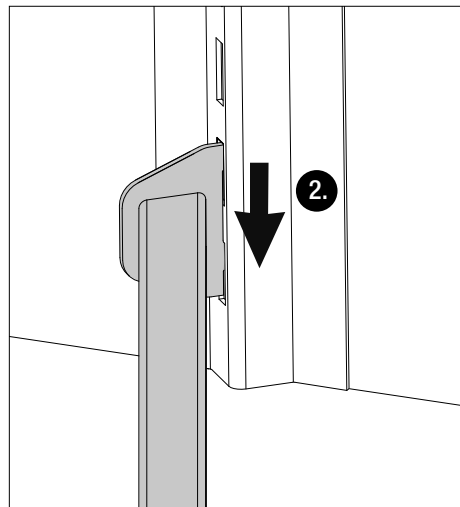
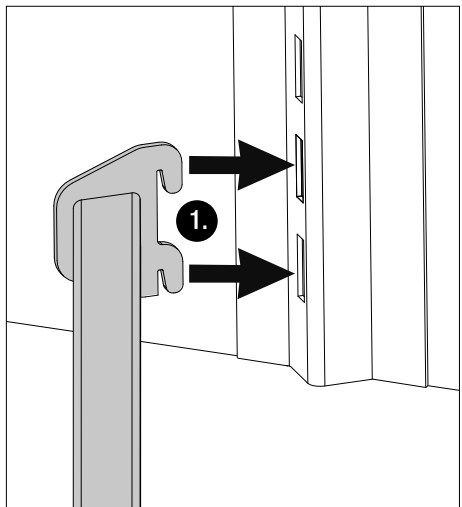
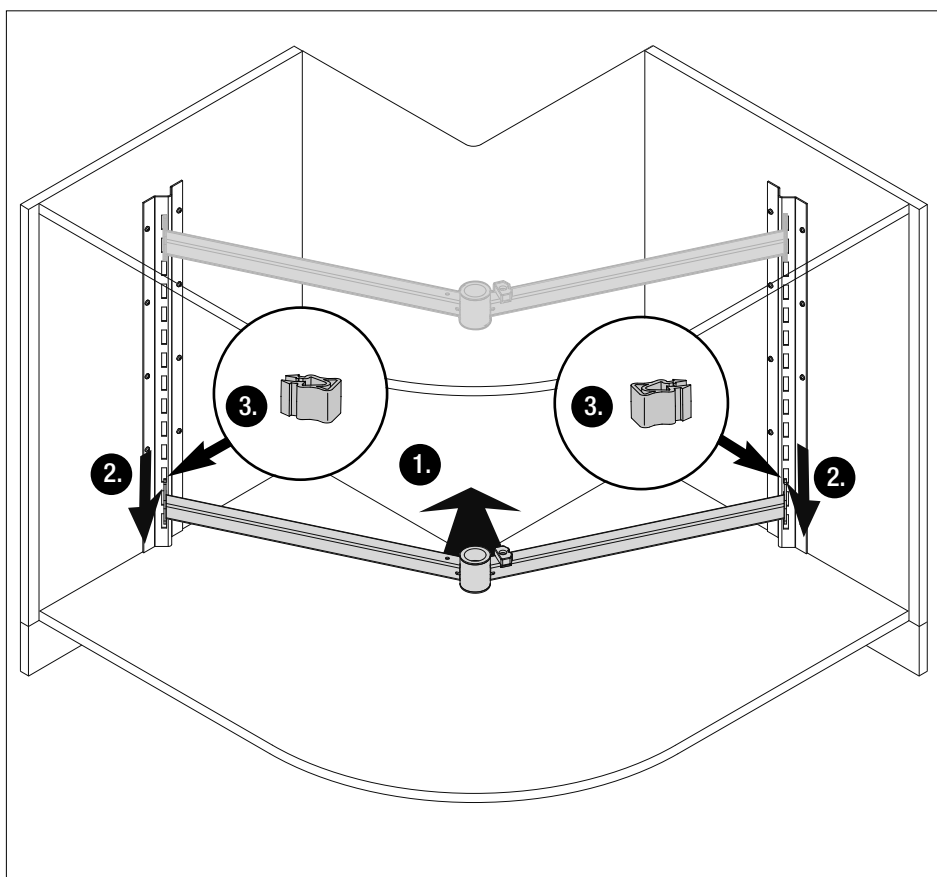
A x A (mm)	B (mm)	C (mm)	D (mm)	E (mm)
900 x 900	> 815	440	720	< 322
900 x 900	> 835	440	760	< 335



1



2



3

