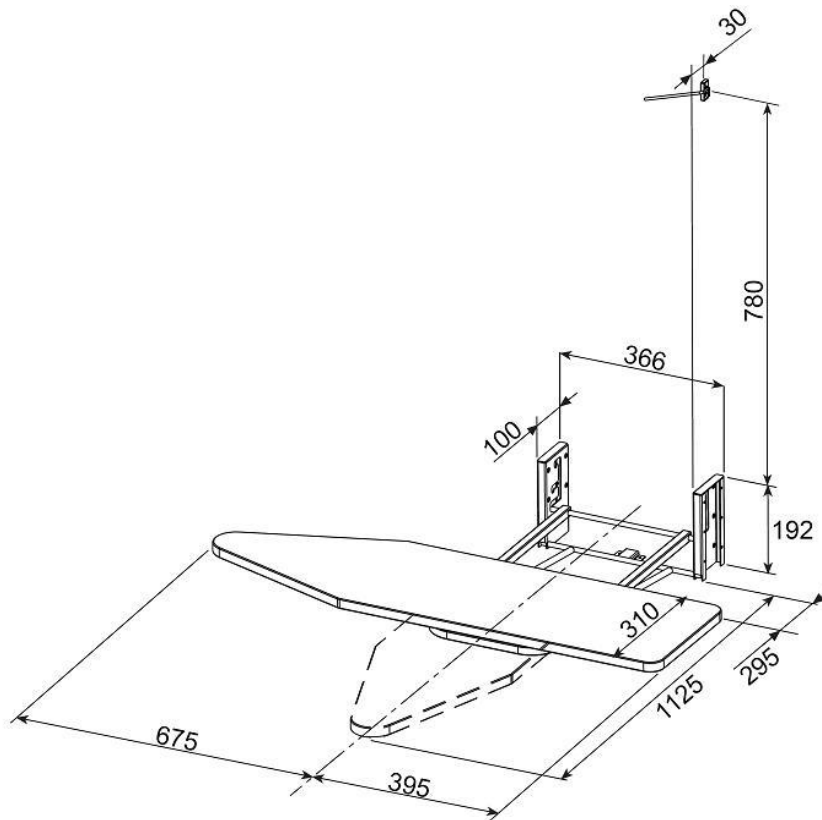


Model Number: **ICKIT**
 Description: **ROBINHOOD IRONING CENTRE KIT**
 Bar Code: **9414930027326**

Typical design



Features and benefits

Features

- Ironing centre kit can be mounted in a cabinet.
- One piece ironing board suitable for all irons
- 45°. & 90° swivel board
- 3 tier ironing board levels
- Integrated cotton coated rayon ironing board Cover
- Modern styling
- Powder coated galvanized steel ironing board

Benefits

- Suitable for all applications, can be installed in both new and existing situations
- Easy and convenient to iron all garments
- Allows a variety of ironing positions
- Gives height flexibility for a variety of statures
- Easy to fit onto the board with simple rip cord adjustment
- Gives a cleaner more contemporary and modern look
- Long lasting and easy to clean
- Corrosion resistant for long life

Specifications

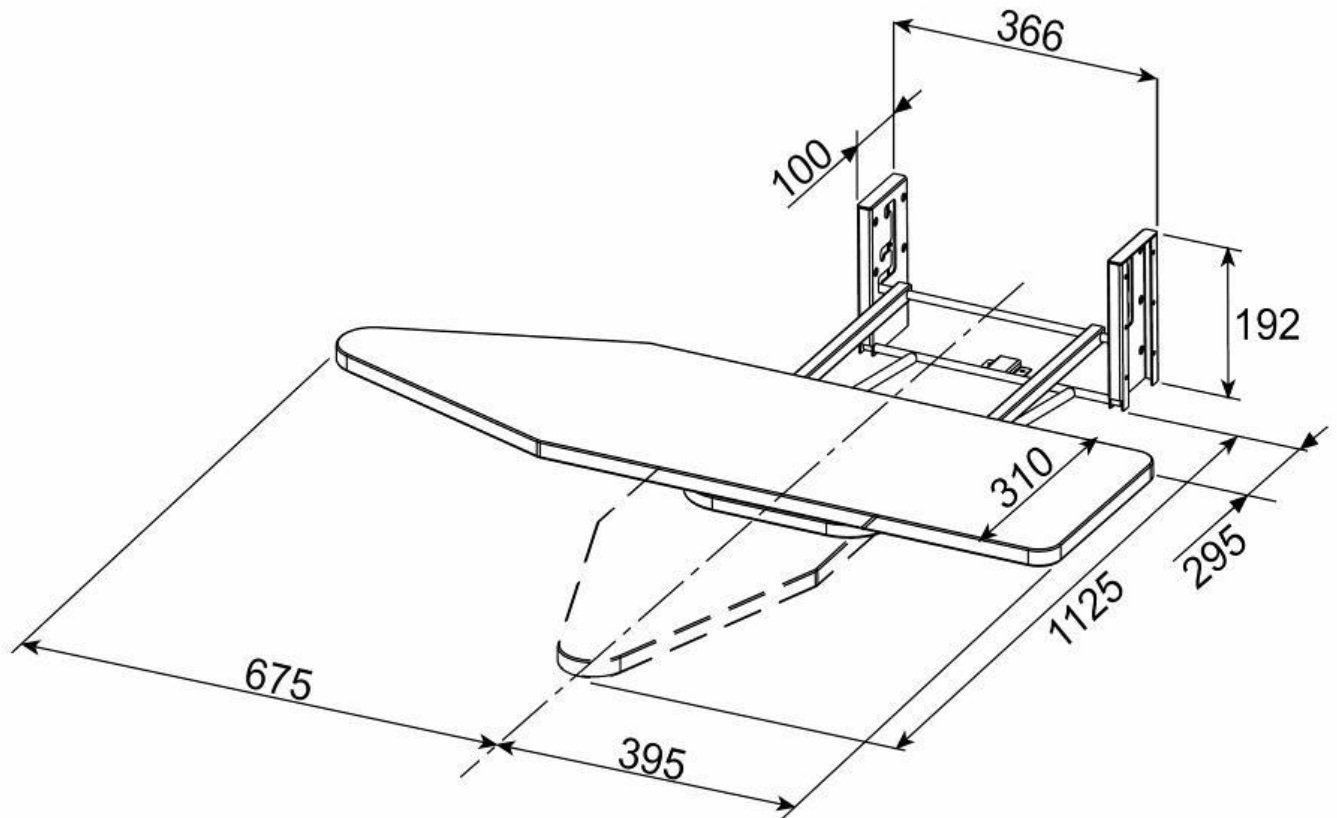
Technical data:

- Ironing board - 0.7mm galvanized sheet metal, powder coated. 12 months warranty
- Plastic parts - ABS UV (ultra violet sun protection)

Weight: 11.7 kg

Carton Dimension (mm): 1240 x 390 x 120 (w x d x h)

Volume (m3): 0.058 m³



New Zealand

Monaco Corporation Ltd
Telephone: (09) 415 6000
Facsimile: (09) 415 7400
Email: enquiries@robinhood.co.nz
www.robinhood.co.nz

Australia

Shriro Australia Pty Ltd
ABN 28 002 386 129
Telephone: 1800 648 556
Facsimile: 1800 628 577
Email: enquiries@robinhood.com.au
www.robinhood.com.au