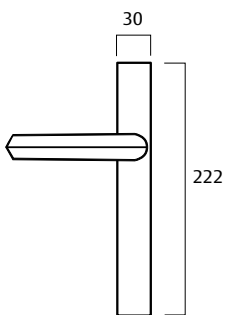


# Palladium® Series Door Furniture




The Palladium Series represents the highest standard in residential and semi-commercial door hardware and is brought to you through modern innovative designs, combined with quality manufacturing. A range of lever options is available to enable a common style throughout the home.



## Product Details

<b>Dimensions</b>	222 x 30 x 9mm
<b>Door Thickness</b>	Minimum 32mm - maximum 45mm door thickness.
<b>Finishes</b>	Black (BLK) Polyester Powdercoat (PPC) Satin Chrome Pearl (SP) Satin Chrome Pearl New Zealand (SPNZ)
<b>Fixing</b>	Hole centres at 181mm
<b>Handing</b>	Easy, field selectable handing.
<b>Materials</b>	All plates and levers in the Palladium Series are constructed from solid zinc die-cast.
<b>Screws</b>	M4 Trilobial thread cutting screws Non-threaded screw posts
<b>Keying</b>	Use with Euro profile cylinder
<b>Application</b>	Used with Induro, Optimum and Union mortice locks, see table on page 48.

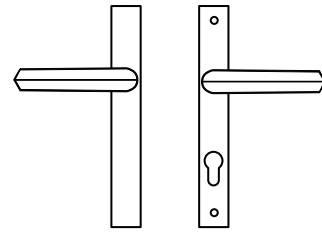
## Standards and Compliance

<b>S3</b>	High security for maximum protection (AS4145.2:2008).
<b>D8</b>	Tested to AS4145.2 2008 for Durability passing D8 - 500,000 cycles.
	Tested to AS4145.2 2008 for Neutral Salt Spray passing C6 Normal Corrosion Resistance - 168 Hours.

# Palladium® Series Furniture

## French Door - PLFD Versions

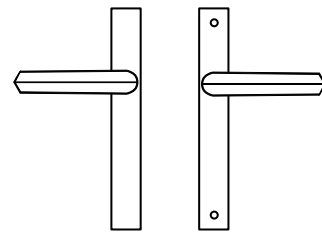
These are used on the fixed door of a set of double doors. The outside furniture has no visible screws, no cylinder hole and the handle is fixed. The inside furniture has visible screw fixings, is used to operate two way locking and has a cylinder hole. This works with the cylinder supplied with the two way lock.



PLFD/85/##

## Passage - PL1 Versions

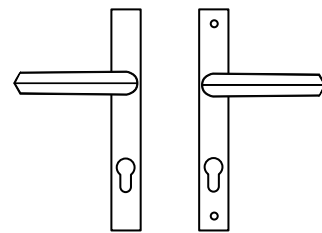
These are used on the active door of either single or double doors. The outside furniture has no visible screws, no cylinder and the handle operates the latch on the lock. The inside furniture has visible screw fixings, no cylinder hole and the handle operates the latch on the lock.



PL1/85/##

## Double Cylinder - PL4 Versions

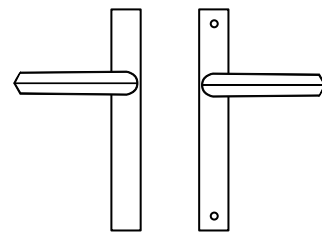
These are used on the active door of either single or double doors. The outside furniture has no visible screws, a cylinder hole and the handle operates the latch on the lock. The inside furniture has visible screw fixings, a cylinder hole and the handle operates the latch on the lock. Handles operate bolts when used with a compatible multi point lock.



PL4/85/##

## Dummy - PL5 Versions

These are used on the fixed door of a set of double doors. The outside furniture has no visible furniture screws, no cylinder hole and the handle is fixed. The inside furniture has visible screw fixings, no cylinder hole and the handle is fixed.

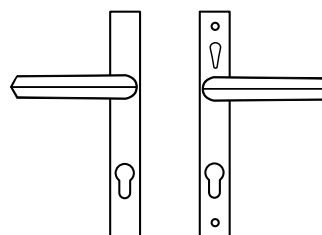


PL5/85/##

## Snib - PS4 Versions

These are used on the active door of either single or double doors. The outside furniture has no visible screws, a cylinder hole and the handle operates the latch on the lock. The inside furniture has visible screw fixings, a cylinder hole and the handle operates the latch on the lock. The snib on the inside locks and unlocks the handles.

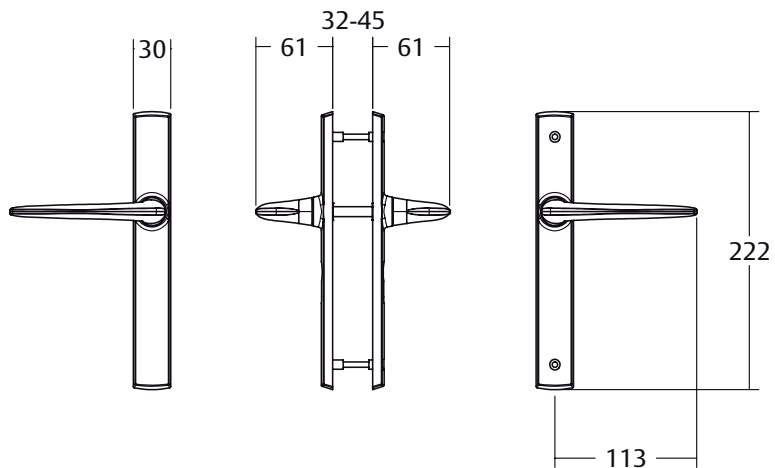
NOTE: Palladium (Xtra) Snib PS4 version is fully interchangeable with old Palladium Xtra PX4 version which had lock-status indicator.



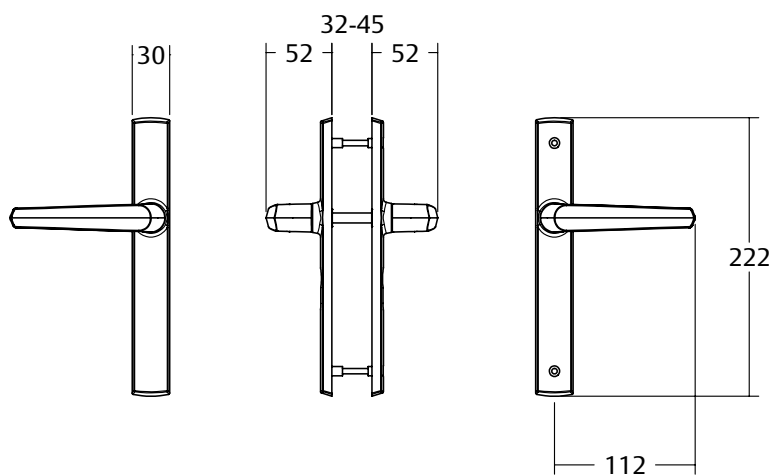
PS4/85/##

# Palladium® Series Door Furniture

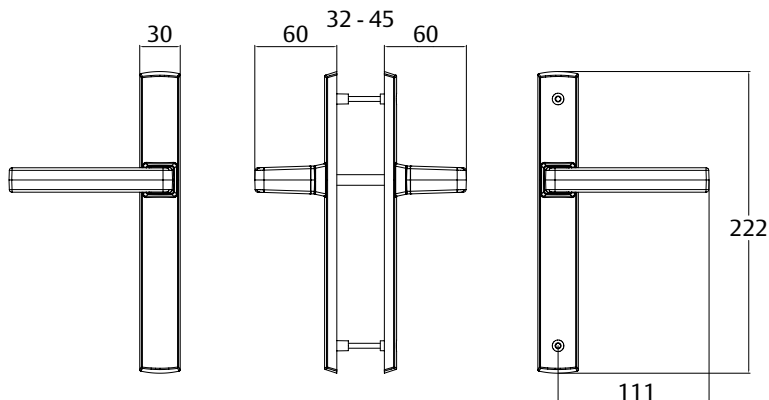
## Summit® L1



## Aria® #27

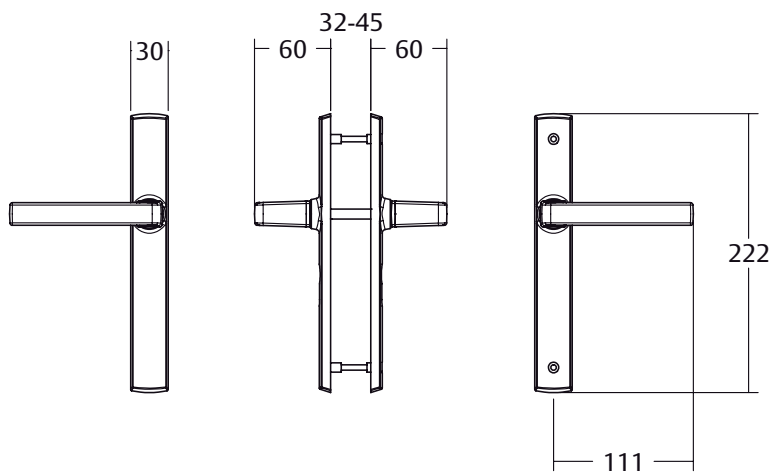


## Acacia® #29

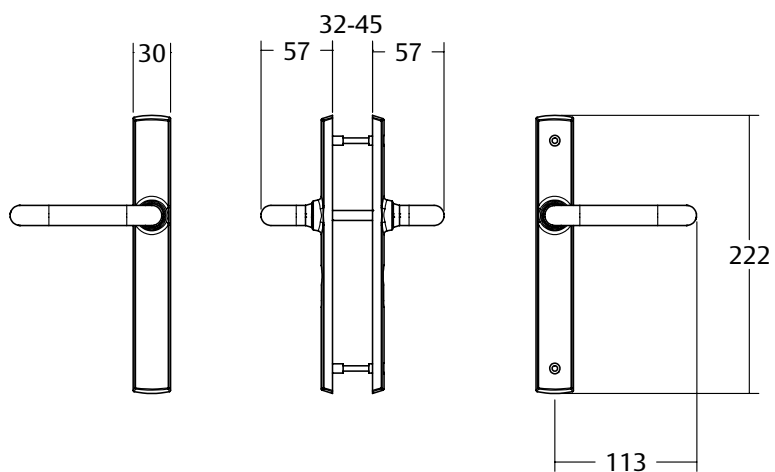


# Palladium® Series Door Furniture

Acacia® #29A



Gidgee® L37

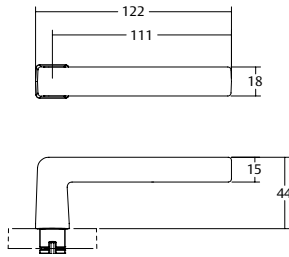


# Diecast Levers

## Acacia® #29

<b>Part Number</b>	#29
<b>Length</b>	122mm
<b>Projection</b>	56mm
<b>Finger clearance</b>	41mm

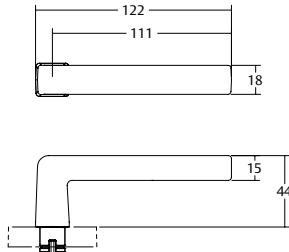
\*Design Registered Australia/New Zealand.



## Acacia® #29A

<b>Part Number</b>	#29
<b>Length</b>	122mm
<b>Projection</b>	56mm
<b>Finger clearance</b>	41mm

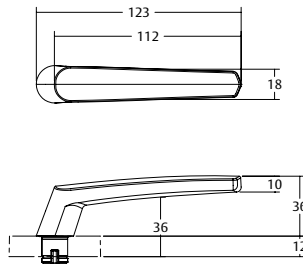
\*Design Registered Australia/New Zealand.



## Aria® S27

<b>Part Number</b>	#27
<b>Length</b>	123mm
<b>Projection</b>	48mm
<b>Finger clearance</b>	36mm

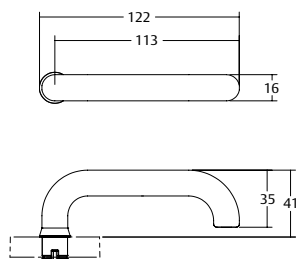
\*Design Registered Australia/New Zealand.



## Gidgee® #37

<b>Part Number</b>	#37
<b>Length</b>	122mm
<b>Projection</b>	53mm
<b>Finger clearance</b>	37mm

\*Design Registered Australia/New Zealand.

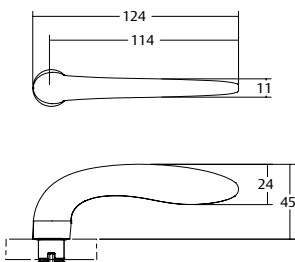


# Diecast Levers

## Summit® #L1

<b>Part Number</b>	#L1
<b>Length</b>	124mm
<b>Projection</b>	57mm
<b>Finger clearance</b>	37mm

\*Design Registered Australia/New Zealand.



# Palladium® Series Part Numbers

## Double Cylinder Locking Furniture

Lever L1	Part Number	Barcode
Satin Chrome Pearl	PL4/85/L1SP	9311847793781
Black	PL4/85/L1BLK	9311847793811
Satin Chrome Pearl (NZ)	PL4/85/L1SPNZ	9340116012506
Powdercoat	PL4/85/L1PPC	9311847793842

Lever 27	Part Number	Barcode
Satin Chrome Pearl	PL4/85/27SP	9311847798519
Black	PL4/85/27BLK	9311847798458
Satin Chrome Pearl (NZ)	PL4/85/27SPNZ	9311847147355
Powdercoat	PL4/85/27PPC	9311847798496

Lever 29 / 29A	Part Number	Barcode
Satin Chrome Pearl	PL4/85/29ASP	9340116022826
Black	PL4/85/29ABLK	9340116022833
Satin Chrome Pearl (NZ)	PL4/85/29SPNZ	9340116023403
Powdercoat	PL4/85/29PPC	9311847797307

Lever 37	Part Number	Barcode
Satin Chrome Pearl	PL4/85/37SP	9311847798670
Black	PL4/85/37BLK	9311847798618
Satin Chrome Pearl (NZ)	PL4/85/37SPNZ	9340116028750
Powdercoat	PL4/85/37PPC	9311847798656

## French Door Sets

Lever L1	Part Number	Barcode
Satin Chrome Pearl	PLFD/85/L1SP	9311847810839
Black	PLFD/85/L1BLK	9311847810808
Powdercoat	PLFD/85/L1PPC	9311847989597

Lever 27	Part Number	Barcode
Satin Chrome Pearl	PLFD/85/27SP	9311847810433
Black	PLFD/85/27BLK	9311847810402
Powdercoat	PLFD/85/27PPC	9311847937840

Lever 29	Part Number	Barcode
Black	PLFD/85/29BLK	9340116059495
Satin Chrome Pearl (NZ)	PLFD/85/29SPNZ	9340116096858

## Passage Sets

Lever 27	Part Number	Barcode
Black	PL1/85/27BLK	9340116043838
Satin Chrome Pearl (NZ)	PL1/85/27SPNZ	9340116043852
Powdercoat	PL1/85/27PPC	9340116043845

Lever 29	Part Number	Barcode
Satin Chrome Pearl (NZ)	PL1/85/29SPNZ	9340116049076
Powdercoat	PL1/85/29PPC	9340116067636

## Dummy Sets

Lever L1	Part Number	Barcode
Satin Chrome Pearl (NZ)	PL5/85/L1SPNZ	9340116063027
Powdercoat	PL5/85/L1PPC	9340116048079

Lever 27	Part Number	Barcode
Satin Chrome Pearl (NZ)	PL5/85/27SPNZ	9340116050096
Black	PL5/85/27BLK	9340116043869
Powdercoat	PL5/85/27PPC	9340116043876

# Palladium® Series Part Numbers

## Snib - Double Cylinder Locking Furniture

Lever L1	Part Number	Barcode
Satin Chrome Pearl	PS4/85/L1SP	9348313045945
Black	PS4/85/L1BLK	9348313045938
Satin Chrome Pearl (NZ)	PS4/85/L1SPNZ	9340116110943
Powdercoat	PS4/85/L1PPC	9340116110974

Lever 27	Part Number	Barcode
Satin Chrome Pearl	PS4/85/27SP	9348313045884
Black	PS4/85/27BLK	9340116113685
Satin Chrome Pearl (NZ)	PS4/85/27SPNZ	9340116111018
Powdercoat	PS4/85/27PPC	9340116110981
Silver	PS4/85/27SIL	9340116111001

Lever 29 / 29A	Part Number	Barcode
Satin Chrome Pearl	PS4/85/29ASP	9348313045907
Black	PS4/85/29ABLK	9348313045891
Satin Chrome Pearl (NZ)	PS4/85/29SPNZ	9340116110998
Powdercoat	PS4/85/29PPC	9340116110967

Lever 37	Part Number	Barcode
Satin Chrome Pearl	PS4/85/37SP	9348313045921
Black	PS4/85/37BLK	9348313045914



# Palladium® Series Part Numbers

Application					
Item Number	Product Name	PL	PS	PLFD	
LW7130L	LOCKWOOD INDURO 2PT 30 BACKSET LONG THROW TP	✓	✓	✗	
LW7140L	LOCKWOOD INDURO 2PT 40 BACKSET LONG THROW TP	✓	✓	✗	
LW7150L	LOCKWOOD INDURO 2PT 50 BACKSET LONG THROW TP	✓	✓	✗	
OP30/1LAN/SS	OPTIMUM 1PT HINGED 30MM BACKSET TP	✓	✗	✗	
OP30/2PTL/SS	OPTIMUM 2PT HINGED 24MM BOLT 30MM BACKSET TP	✓	✓	✗	
OP30/2PTL/SSBL	OPTIMUM 2PT HINGED BEVEL BOLT 24MM BOLT 30MM BACKSET PK=25	✓	✓	✗	
OP30/2PTS/SS	OPTIMUM 2PT HINGED 13MM BOLT 30MM BACKSET TP	✓	✓	✗	
OP30/2PTS/SSBL	OPTIMUM 2PT HINGED BEVEL BOLT 30MM BACKSET PK=25 TP	✓	✓	✗	
OP30/4PTS/SSBL	OPTIMUM 4PT HINGED SHOOT BEVEL BOLT 30MM BACKSET PK=25 TP	✓	✓	✗	
OP30/4RML/SS	OPTIMUM 4PT HINGED REMOTES 24MM BOLT 30MM BACKSET	✓	✓	✗	
OP30/4RML/SSBL	OPTIMUM 4PT HINGED REMOTES 24MM BOLT 30MM B/SET BEVEL BOLT & 2 PACKERS	✓	✓	✗	
OP30/4RMS/SS	OPTIMUM 4PT HINGED REMOTES 13MM BOLT 30MM BACKSET	✓	✓	✗	
OP30/4SBL/SS	OPTIMUM 4PT HINGED SHOOT BOLT 24MM BOLT 30MM BACKSET TP	✓	✓	✗	
OP30/4SBS/SS	OPTIMUM 4PT HINGED SHOOT BOLT 13MM BOLT 30MM BACKSET TP	✓	✓	✗	
OP40/2PTL/SS	OPTIMUM 2PT HINGED 24MM BOLT 40MM BACKSET TP	✓	✓	✗	
OP40/4SBS/SS	OPTIMUM 4PT HINGED SHOOT BOLT 13MM BOLT 40MM BACKSET TP	✓	✓	✗	
OP50/2PTL/SS	OPTIMUM 2PT HINGED 24MM BOLT 50MM BACKSET	✓	✓	✗	
U-X925-SS-M5	UNION 85MM PITCH EURO MORTICE LOCK 25MM BACKSET TP	✓	✗	✗	
U-X930-SS-M5	UNION 85MM PITCH EURO MORTICE LOCK 30MM BACKSET	✓	✗	✗	
U-X935-SS-M5	UNION 85MM PITCH EURO MORTICE LOCK 35MM BACKSET	✓	✗	✗	
P84318NRA	TBL FR DR NO FURN/CYL *NO RODS	✗	✗	✓	

**Note:** For further information, please refer to the Euro Profile Mortice Locks catalogue.