

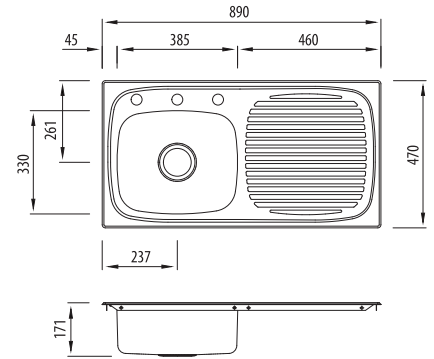
Ultraform

Proudly Aussie made

All dimensions in mm

UF01

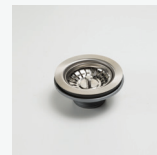
Single Bowl Topmount Sink With Drainer



Specifications /

Sink size	890W x 470H mm
Bowl size	Main Bowl 385W x 330H x 155D / 17L
Construction	2 piece, bowls and drainer seam welded
Material	304 grade, 18/10 polished stainless steel (0.8 mm thick)
Installation	Topmount recommended
Fixings	Adjustable clips and sealing foam supplied
Min cabinet size	500 mm
Tap holes	Available 0 to 3 tap holes (specify when ordering)
Waste fittings	1 x 90 mm basket waste included
Overflow	Not available
Carton size	900 x 480 x 170 mm
Weight	4.5 kg
Warranty	Lifetime manufacturer's warranty (refer to oliveri.com.au)
Maintenance and care instructions	All surfaces should be cleaned with mild liquid detergent or soap and water. To maintain the shine on your Oliveri stainless steel sink, we recommended the use of any of the easy to obtain, non-abrasive stainless steel cleaners or metal polishes.

Included accessories /



AC14
Basket Waste