

TEK01 series

Original Preassembled Desk Frame

General Features

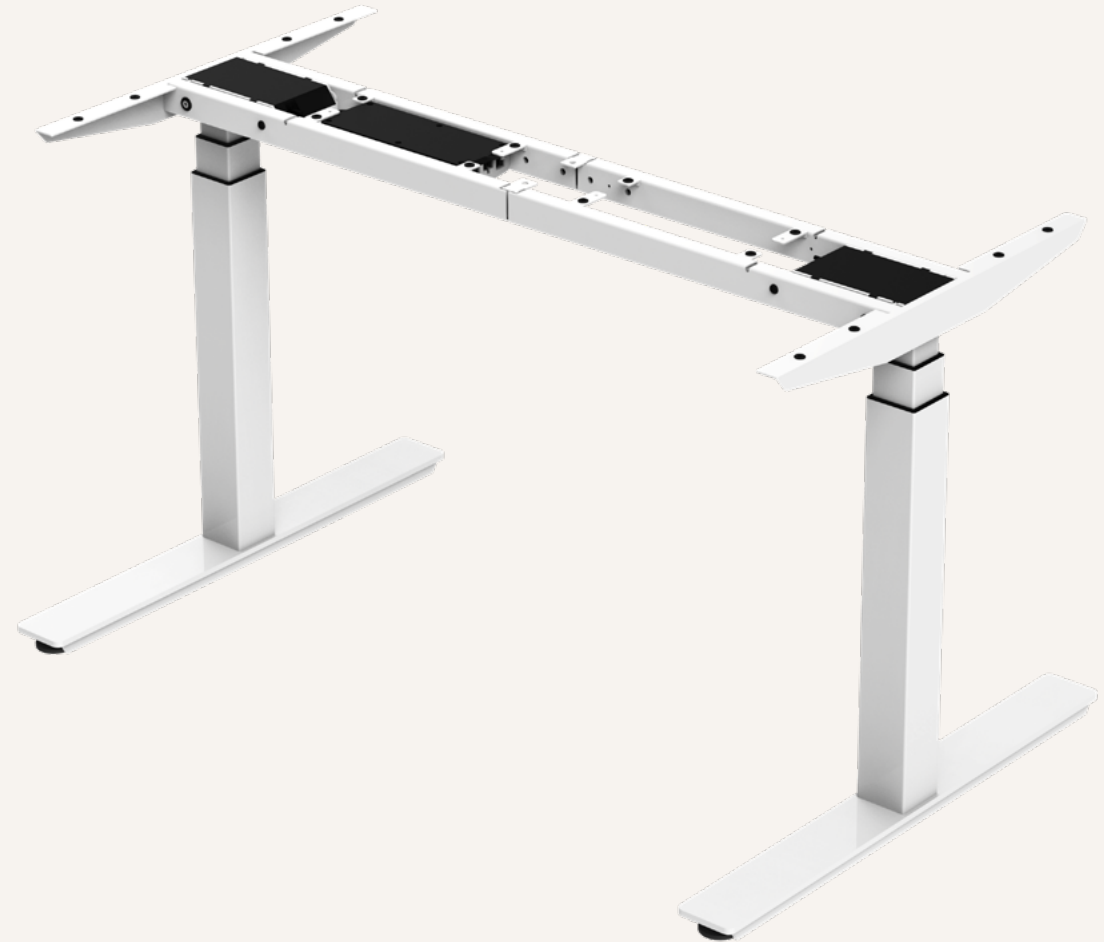
Max. load	100~200kg*
Constant speed	2-Stage Column: Up to 33mm/s* 3-Stage Column: Up to 40mm/s*
Weight of package	33~40kg*
Standby power	< 0.1W
Noise level	39dB
Accessories	USB Chargers (TFA1/TFA3), Anti-Collision Sensor (TCS1), Wireless Chargers (TWC)

Multiple column and control options

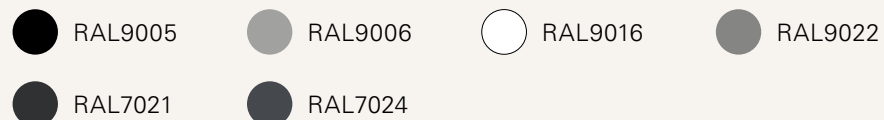
High strength and stability – Steel construction

Pre-assembled frame kit – Significantly reduces installation time

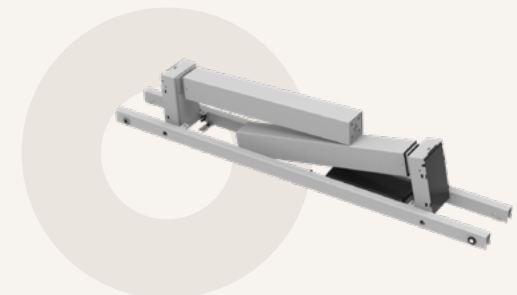
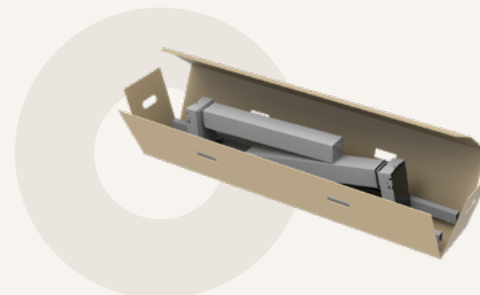
*It varies upon the selection of components.



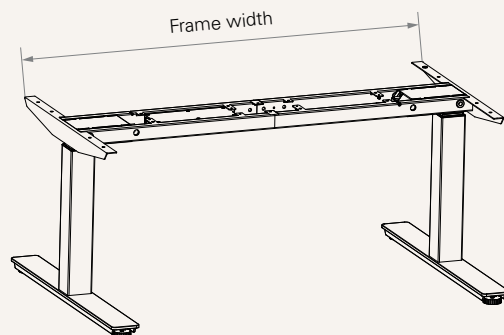
Color (RAL Classic)



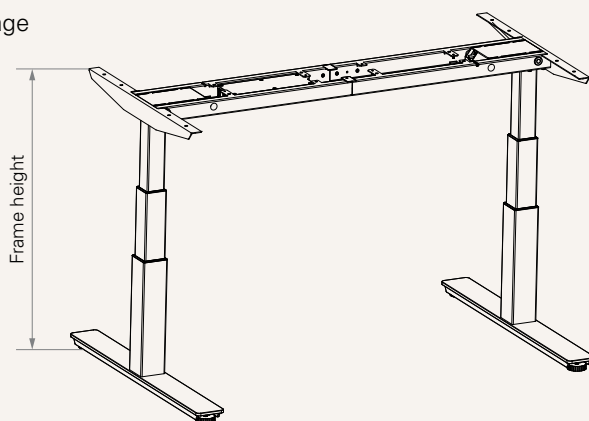
*For more color options, please consult your sales representative.



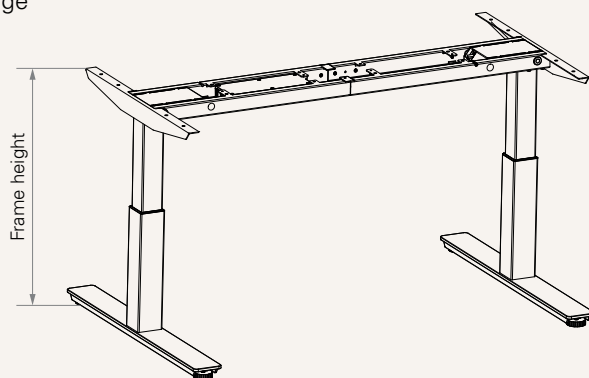
Dimension



• 3-Stage



• 2-Stage



Frame & Work Surface

Frame dimensions (mm)	Recommended work surface dimensions (mm)	
Width (mm)	Width (mm)	Depth (mm)
1050~1850	1100~1900	700~1000

Hight Range

Column type	Frame height (mm)	Stroke (mm)
3-Stage	630~1280	650
3-Stage (M)	600~1260	660
3-Stage (S)	560~1220	660
2-Stage	680~1180	500

Desk Type



T Leg
(standard)

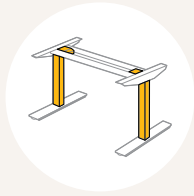


C Leg

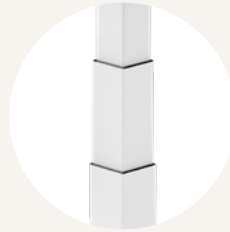


TL Model

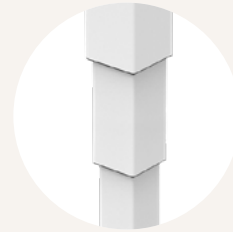
• 3-Stage



TL4
Square
70 x 70 mm



TL4K
Square
70 x 70 mm



TL7
Square
70 x 70 mm



TL9
Round
ø70 mm



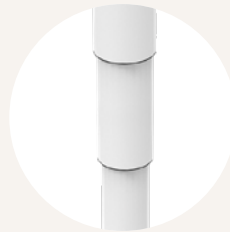
TL9K
Round
ø70 mm



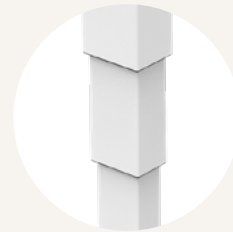
TL10
Rectangular
80 x 60 mm



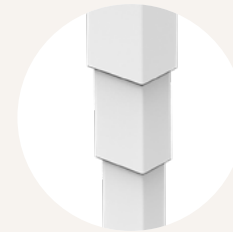
TL10H
Rectangular
80 x 60 mm



TL11
Round
ø70 mm



TL12
Rectangular
80 x 60 mm



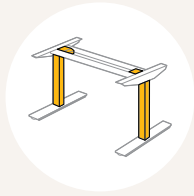
TL12H
Rectangular
80 x 60 mm



TL33K
Rectangular
83 x 53 mm

TL Model

• 2-Stage



TL13
Square
70 x 70 mm



TL13K
Square
70 x 70 mm



TL14
Round
ø70 mm



TL14K
Round
ø70 mm



TL15
Rectangular
80 x 60 mm



TL15H
Rectangular
80 x 60 mm



TL26
Rectangular
80 x 60 mm



TL28
Square
70 x 70 mm



TL29
Round
ø70 mm

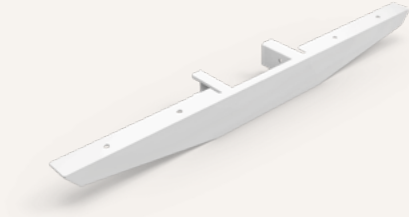


TL32K
Rectangular
83 x 53 mm

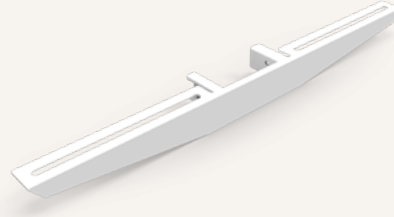
End Pipe



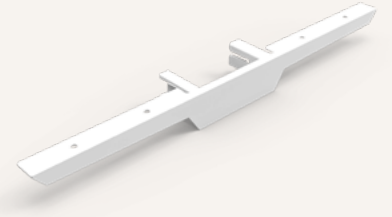
Style A
(for fixed tabletop)



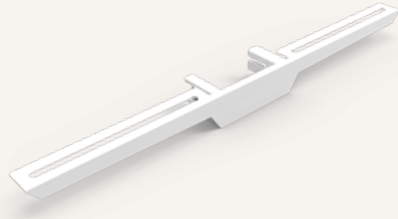
Style A
(for sliding tabletop)



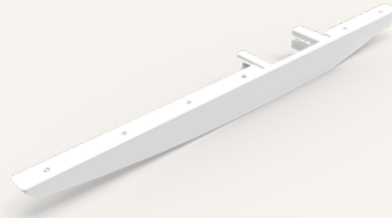
Style B
(for fixed tabletop)



Style B
(for sliding tabletop)



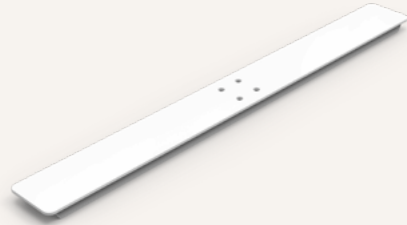
Style C
(for C leg, fixed tabletop)



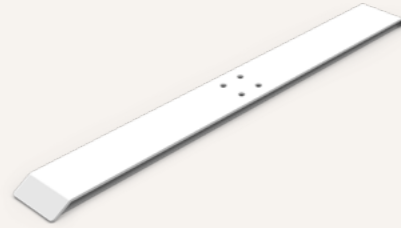
Foot



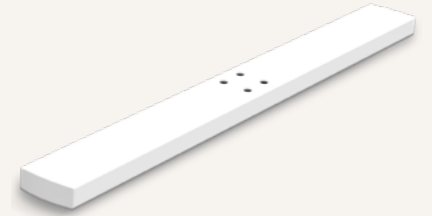
Style A



Style B



Style D



Style E



Style H



Style J



Foot (mm)



Code	Style	Frame type	Length (mm)
0	-	Without	-
AT1	A	T	750
AT2	A	T	680
AT4	A	T	600
AT6	A	T	550
AT7	A	T	350
AC1	A	C	750
AC4	A	C	600
AC5	A	C	580
BT1	B	T	750
BT2	B	T	680
BT6	B	T	550
BC1	B	C	750
BC2	B	C	680
BC5	B	C	580
DT1	D	T	750
DT6	D	T	550
ET1	E	T	750
HT2	H	T	680
JC3	J	C	650

Hand Control



1 = TH37



2 = TFH8



3 = TDH1



4 = TDH2



5 = TDH3



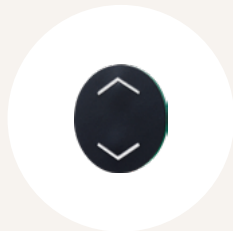
6 = TDH4



7 = TDH5



8 = TDH6



9 = TFH13



B = TH14



C = TFH21



D = TDH8P



E = TDH8



F = TDH8D



G = TDH11P



H = TDH12P



K = TDH16



L = TDH6PR



M = TDH5PR



N = TDH13P



P = TDH15



Q = TDH18P



R = TDH17



S = TDH20P

Hand Control



T = TDH9P



U = TDH27P



V = TDH24P

Accessories (optional)



TCS1

TCS1 is a collision sensor based on t-touch technology which does not require any additional hardware upgrades.



TFA1

A charger with 2 USB ports. Can be mounted on the table top.



TFA3

A charger with 2 USB ports. Can be mounted to the desk front side.



TWC

Designed for wireless charging of mobile devices. Can be mounted on the table top.

TEK01 Ordering Key

TEK01

Version: 20220331-0

TL Model	0004 = TL4	0010 = TL10	0013 = TL13	0026 = TL26	010H = TL10H	004K = TL4K	014K = TL14K
See page 4-5	0007 = TL7	0011 = TL11	0014 = TL14	0028 = TL28	012H = TL12H	009K = TL9K	032K = TL32K
	0009 = TL9	0012 = TL12	0015 = TL15	0029 = TL29	015H = TL15H	013K = TL13K	033K = TL33K
Foot (mm)	See page 7-8						
Color	1 = Black (RAL 9005)		3 = White (RAL 9016)		6 = Matte Black (RAL 7021)		
	2 = Grey (RAL 9006)		4 = Special grey (RAL 9022)		7 = Graphite grey (RAL 7024)		
TC Model	0 = Without	1 = TC15	2 = TC15P				
Hand Control	See page 9-10						
End Pipe (mm)	1 = Style A, fixation holes, E1 & E2: 600, Standard				6 = Style A, fixation holes, E1 & E2: 500		
See page 6	2 = Style A, slidable, E1 & E2: 700				7 = Style A, fixation holes, E1 & E2: 550		
	3 = Style B, fixation holes, E1 & E2: 600				8 = Style B, fixation holes, E1 & E2: 500		
	4 = Style B, slidable, E1 & E2: 700				9 = Style C, fixation holes, E1 & E2: 580, for C leg		
	5 = Style C, fixation holes, E1 & E2: 700, for C leg				C = Style A, fixation holes, E1 & E2: 680		
Desk Frame (mm)	6 = Medium, outer pipe 25*40, W: 1050-1850 (connection pipe 3)						
Assembly Manual	0 = Without				3 = Chinese, No logo, Black / White printing		
	C = Chinese, TiMOTION logo, Black / White printing				4 = English, No logo, Black / White printing		
	E = English, TiMOTION logo, Black / White printing				5 = Chinese, No logo, colour printing		
	1 = Chinese, TiMOTION logo, colour printing				6 = English, No logo, colour printing		
	2 = English, TiMOTION logo, colour printing						

Terms of Use

The user is responsible for determining the suitability of TiMOTION products for a specific application. TiMOTION products are subject to change without prior notice.