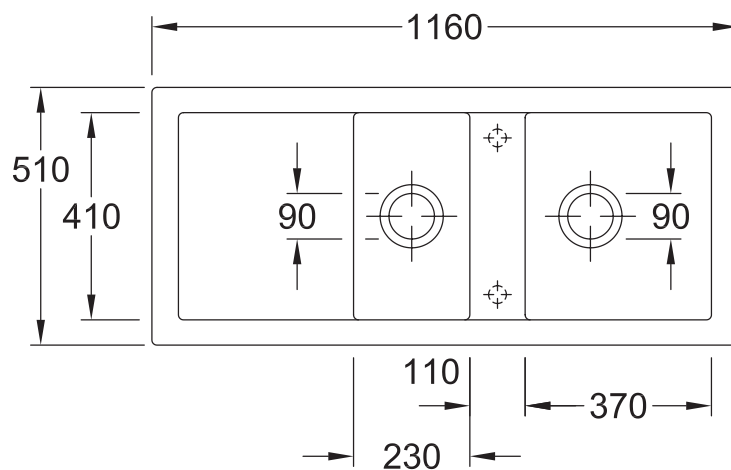




SUBWAY 80 INSET SINK WITH BASKET WASTE

Product Image **Technical Specification**



Description

Subway 80 Inset Sink

- 672601R1LTB** 1 Taphole / LH Bowl / White
- 672601R1RTB** 1 Taphole / RH Bowl / White

Additional Information

- 1160 x 510mm Reversible
- Tapware Not Included
- Taphole Position to be specified at time of order placement

