

EVoline® FlipTop Push

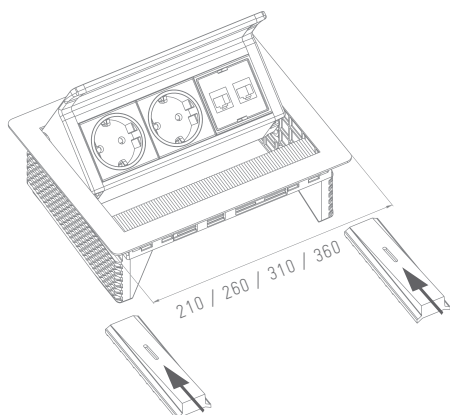


A touch of a finger is sufficient.

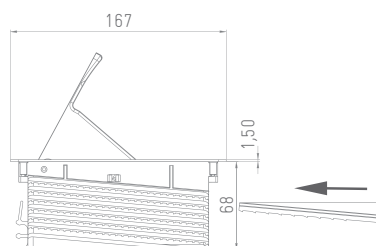
EVoline® FlipTop Push

The FlipTop Push is an elegant solution supplying all work areas with power, data and multimedia.

Interchangeable modules for data and multimedia ensure unlimited flexibility for future requirements at the workspace.



Dimensions in mm



Housing	Aluminium, black anodised
Cover	Stainless steel
Installation	Flush-Mounted (Height 68 mm)
Surface thickness	10 – 50 mm
Configurable	yes

A selection of interchangeable modules can be found on page 114.

Simple and quick exchange of modules. Customisable with interchangeable modules.



Push-to-open function

Final open position with manual locking mechanism allows easy insertion of plugs.



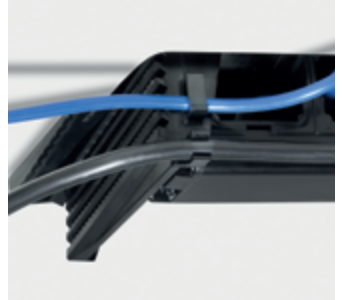
International power socket modules



Quick installation, for surface thickness up to 50 mm



Adaptor clip for safe connection to WireLane



Convenient cable routing ensures tidiness below the table

EVOLine®

Schulte Elektrotechnik GmbH & Co. KG

Juengerstrasse 21
D-58515 Luedenscheid
Germany

Telephone +49 23 51 / 94 81-0
Fax +49 23 51 / 4 26 58

E-Mail info@schulte.com
Internet www.evoline.com

